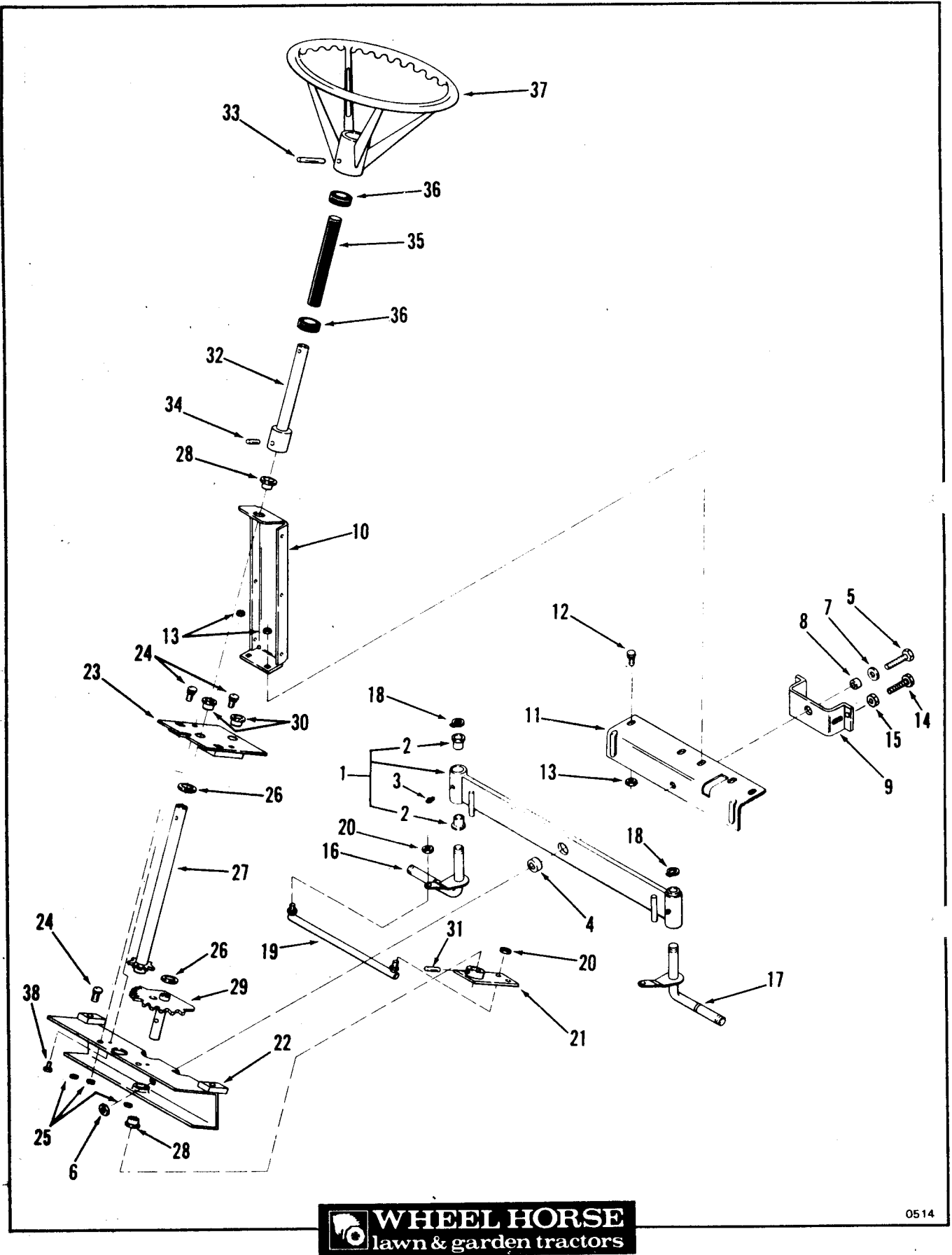


- |                  |       |
|------------------|-------|
| <b>03-11BP01</b> | A-111 |
| <b>03-08BP01</b> | A-81E |
| <b>03-08XP01</b> | A-81R |
| <b>03-05BP01</b> | A-51  |

PRICE \$3.00  
PRINTED IN U.S.A. 0180

 **WHEEL HORSE**  
lawn & garden tractors

Part Number 810167R1



0514

Figure 5-1 Front Axle and Steering

Item	Part Number	Description	A-51,A-81R	A-81E,A-111
<b>Figure 5-1 FRONT AXLE AND STEERING</b>				
1	106973	Front Axle W/Bushings .....	1	1
2	106872	Bushing .....	4	4
3	1030	Grease Fitting .....	2	2
4	106898	Bushing .....	1	1
5	908061	Bolt 1/2-13 X 2 .....	1	1
6	915115	Nut 1/2-13 Eslok .....	1	1
7	920041	Washer 1/2 U.S. ....	1	1
8	106286	Bushing .....	1	1
9	108292	Pivot-Mower .....	1	1
10	108024	Support-Steering (Service Only) .....	1	1
11	108346	Support-Front Axle .....	1	1
12	900062	Carriage Bolt 3/8-16 X 3/4 .....	3	3
13	915113	Nut 3/8-16 Eslok .....	3	3
14	911424	Bolt 3/8-16 X 2 Full Thread .....	2	2
15	915236	Nut 3/8-16 Jam .....	2	2
16	106896	Spindle RH .....	1	1
17	106895	Spindle LH .....	1	1
18	104822	Snap Ring 3/4 Ext. H.D. ....	2	2
19	106900	Tie Rod .....	2	2
20	915001	Nut, Jam 5/16-24 Eslok .....	4	4
21	106971	Bar-Steering .....	1	1
22	107930	Support-Front Axle .....	1	1
23	107932	Plate-Reinforcing .....	1	1
24	900063	Carriage Bolt 3/8-16 X 1 .....	4	4
25	915113	Nut 3/8-16 Eslok .....	4	4
26	920257	Washer-Shim 22 Gauge .....	X	X
27	108428	Steering Shaft .....	1	1
28	101442	Bushing .....	2	2
29	106878	Steering Sector .....	1	1
30	106950	Bushing .....	2	2
31	933269	Spirol Pin 1/4 X 1 1/4 .....	1	1
32	108585	Steering Shaft Extension .....	1	1
33	933221	Spirol Pin 1/4 X 2 .....	1	1
34	933213	Spirol Pin 1/4 X 1 .....	1	1
35	106980	Steering Shaft Ext. Cover .....	1	1
36	106979	End Cap .....	2	2
37	515056	Steering Wheel .....	1	1
38	926671	Bolt 1/4-20 X 1/2 S.T. ....	2	2

SECTION 6 - BRAKE AND CLUTCH LINKAGE

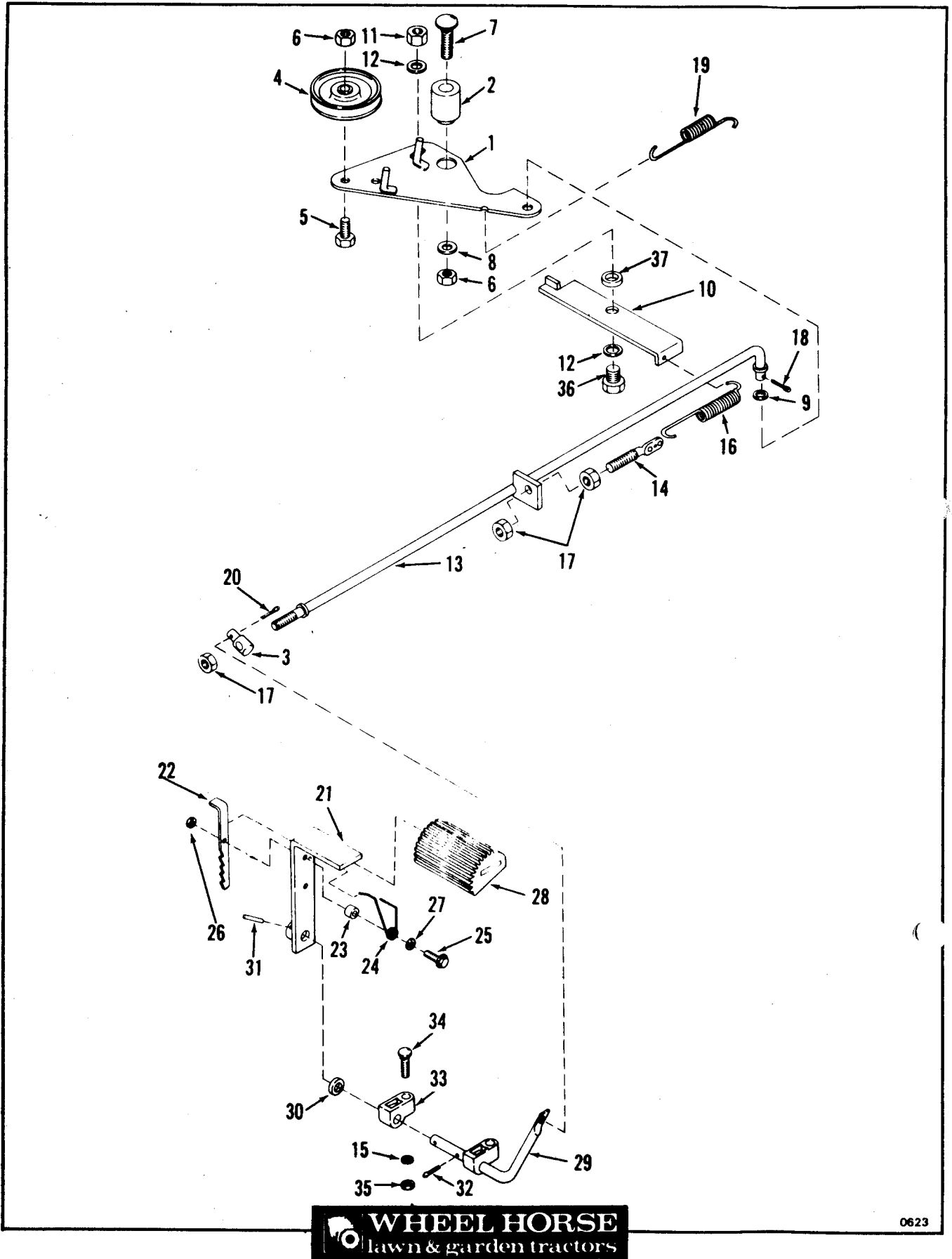


Figure 6-1 Brake and Clutch Linkage

Item	Part Number	Description	A-81E,A-111	
			A-51,A-81R	
<b>Figure 6-1 BRAKE AND CLUTCH LINKAGE</b>				
1	108422	Idler Arm .....	1	1
2	106908	Spacer-Idler Arm .....	1	1
3	6739	Trunnion .....	1	1
4	8205	Idler Pulley .....	1	1
5	908036	Bolt 3/8-16 X 1 1/2 .....	1	1
6	915113	Nut 3/8-16 Eslok .....	2	2
7	900067	Carriage Bolt 3/8-16 X 2 .....	1	1
8	2844	Washer-Special .....	1	1
9	920009	Washer 3/8 SAE .....		
10	108288	Brake Rod .....	1	1
11	915112	Nut 5/16-18 Eslok .....	1	1
12	920008	Washer 5/16 SAE .....	1	1
13	106910	Clutch Rod .....	1	1
14	108471	Screw Adjustment .....	1	1
15	920009	Washer 3/8 SAE .....	2	2
16	102572	Spring-Brake .....	1	1
17	915113	Nut 3/8-16 Eslok .....	2	2
18	932008	Cotter Pin 3/32 X 3/4 .....	1	1
19	105467	Spring-Clutch/Brake Return .....	1	1
20	932008	Cotter Pin 3/32 X 3/4 .....	1	1
21	107833	Clutch/Brake Pedal .....	1	1
22	107834	Park Brake Lever .....	1	1
23	107000	Spacer-Park Brake Lever .....	1	1
24	108306	Spring-Park Brake Lever .....	1	1
25	913115	Bolt 10-24 X 1 Washer HD. ....	1	1
26	915740	Nut 10-24 E.S. ....	1	1
27	920005	Washer #10 SAE .....	1	1
28	520964	Clutch/Brake Pedal Pad .....	1	1
29	106916	Clutch/Brake Arm .....	1	1
30	7360	Spacer .....	1	1
31	933188	Spirol Pin 3/16 X 1 .....	1	1
32	932017	Cotter Pin 1/8 X 1 .....	1	1
33	108355	Block .....	2	2
34	900066	Carriage Bolt 3/8-16 X 1 3/4 .....	2	2
35	915113	Nut 3/8-16 Eslok .....	2	2
36	908016	Bolt 5/16-18 X 5/8 .....	1	1
37	108289	Spacer .....	1	1

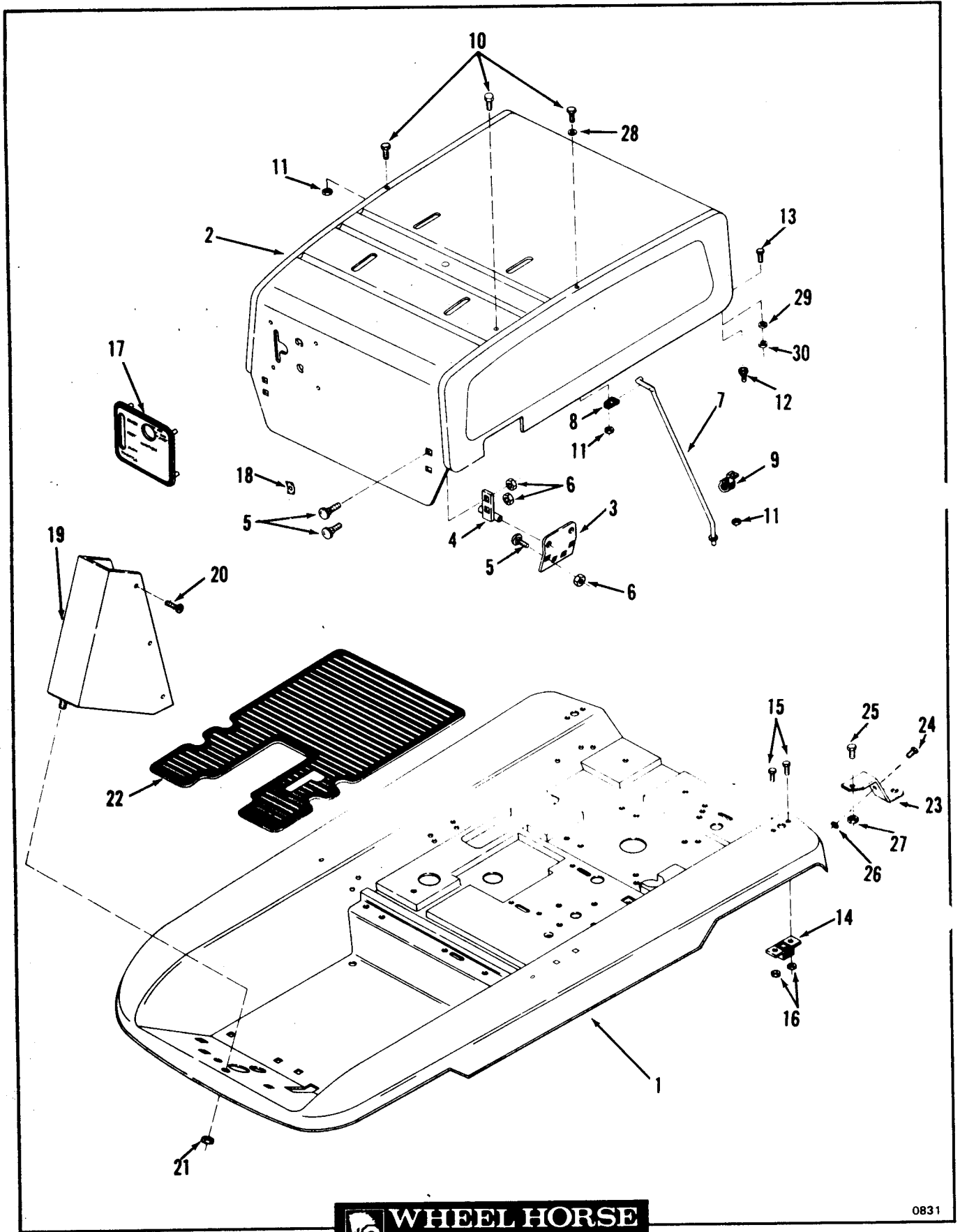


Figure 8-1 Body, Sheet Metal and Covers

Item	Part Number	Description	A-81E,A-111	
			A-51,A-81R	
<b>Figure 8-1</b>				
<b>BODY, SHEET METAL AND COVERS</b>				
1	108287	Body .....	1	1
2	108342	Hood .....	1	
2	108345	Hood .....		1
3	106958	Bracket-Hinge .....	2	2
4	106956	Seat Pivot .....	2	2
5	900037	Carriage Bolt 5/16-18 X 3/4 .....	8	8
6	915112	Nut 5/16-18 Eslok .....	8	8
7	106915	Rod-Hood Support .....	1	1
8	106913	Clip-Hood Support Rod Front .....	1	1
9	108216	Clip-Hood Support Rod Rear .....	1	1
10	908002	Bolt 1/4-20 X 5/8 .....	3	3
11	915111	Nut 1/4-20 Eslok .....	3	3
12	107012	Ball Stud .....	2	2
13	960138	Bolt 10-32 X 3/8 Whizlock .....	2	2
14	107013	Stud Latch .....	2	2
15	908001	Bolt 1/4-20 X 1/2 .....	4	4
16	915111	Nut 1/4-20 Eslok .....	4	4
17	106992	Control Panel .....	1	
17	106961	Control Panel .....		1
18	7721	Speed Nut .....	4	4
19	5824	Shroud .....	1	1
20	911684	Bolt #14-10 X 3/4 Washer HD. S.T. ....	6	6
21	915113	Nut 3/8-16 Eslok .....	1	1
22	108584	Floor Mat .....		1
22	108356	Floor Mat .....	1	
23	104320	Drawbar Hitch .....	1	1
24	908032	Bolt 3/8-16 X 3/4 .....	1	1
25	908017	Bolt 5/16-18 X 3/4 .....	1	1
26	915113	Nut 3/8-16 Eslok .....	1	1
27	915112	Nut 5/16-18 Eslok .....	1	1
28	920007	Washer 1/4 SAE .....		1
29	920081	Lockwasher 1/4 .....	4	
30	915111	Nut 1/4-20 Eslok .....	4	

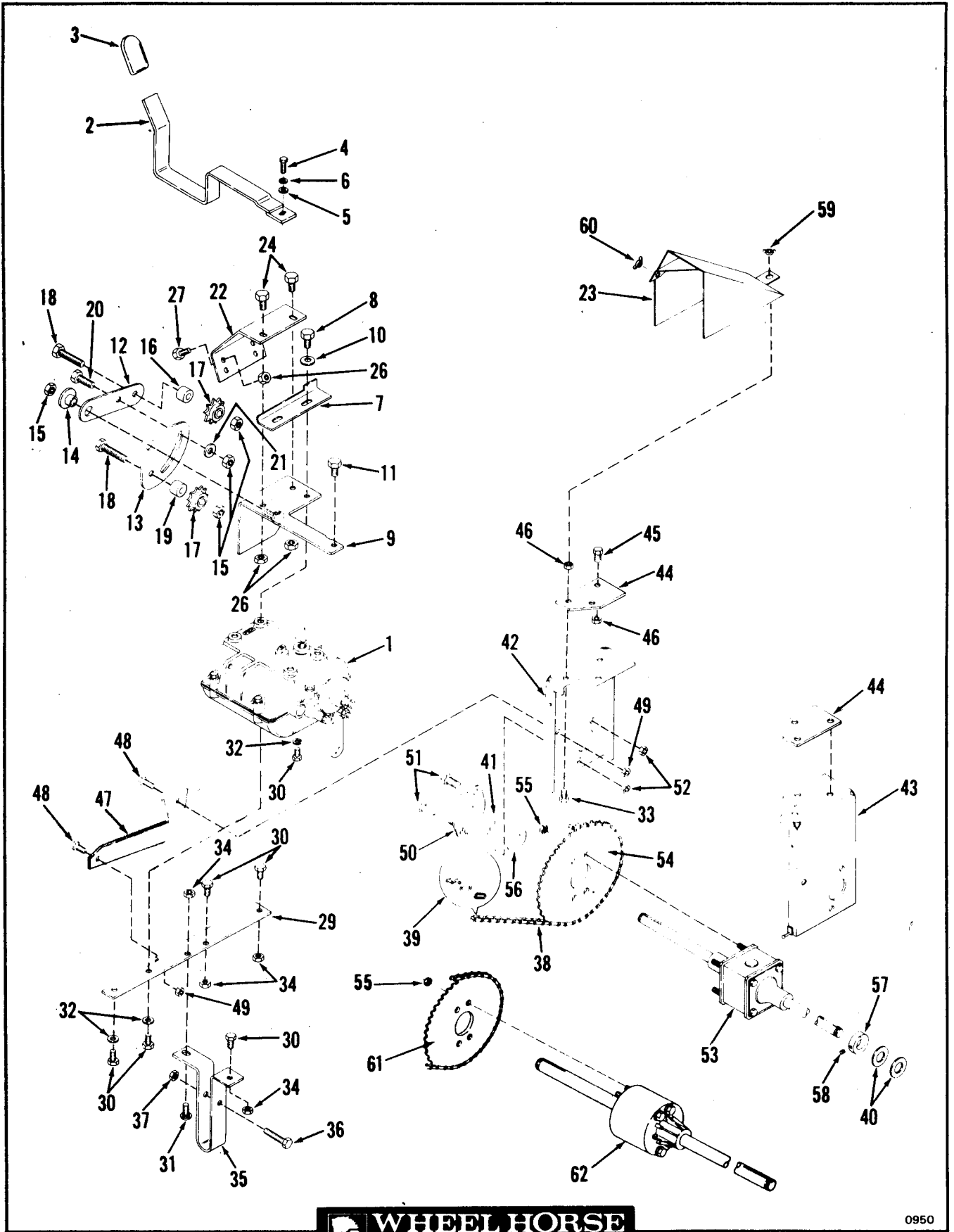


Figure 9-1

Transmission, Differential and Drive System



Item	Part Number	Description	A-51,A-81R	A-81E,A-111
<b>Figure 9-1 TRANSMISSION, DIFFERENTIAL AND DRIVE SYSTEM</b>				
1	106907*	Transmission-Peerless Model 724A .....	1	1
2	108026	Shift Lever .....	1	1
3	100464	Grip-Handle .....	1	1
4	908153	Bolt 1/4-28 X 7/8 .....	1	1
5	104869	Washer - Special .....	1	1
6	920081	Lockwasher 1/4 .....	1	1
7	107944	Stop-Reverse .....	1	1
8	926696	Bolt 5/16-18 X 7/8 S.T. ....	2	2
9	106871	Idler Support .....	1	1
10	920008	Washer 5/16 SAE .....	2	2
11	926720	Bolt 5/16-18 X 3/4 S.T. ....	1	1
12	106889	Plate-Upper Idler .....	1	1
13	106888	Plate-Lower Idler .....	1	1
14	106891	Spacer Bushing .....	1	1
15	915113	Nut 3/8-16 Eslok .....	4	4
16	106892	Spacer-Upper Idler Sprocket .....	1	1
17	106890	Sprocket-Idler .....	2	2
18	908038	Bolt 3/8-16 X 2 .....	2	2
19	106887	Spacer-Lower Idler Sprocket .....	1	1
20	908034	Bolt 3/8-16 X 1 .....	1	1
21	920039	Washer 3/8 U.S. ....	1	1
22	108419	Trans. Stiffener .....		1
22	108418	Trans. Stiffener .....	1	
23	108298	Chain Guard .....	1	
24	908017	Bolt 5/16-18 X 3/4 .....	2	2
26	915112	Nut 5/16-18 Eslok .....	6	6
27	908017	Bolt 5/16-18 X 3/4 .....	4	4
29	106886	Brace-Transmission .....	1	1
30	908017	Bolt 5/16-18 X 3/4 .....	7	7
31	908037	Carriage Bolt 3/8-16 X 1 3/4 .....	1	1
32	920082	Lockwasher 5/16 .....	4	4
33	908035	Bolt 3/8-16 X 1 1/4 .....	1	
33	908032	Bolt 3/8-16 X 3/4 .....		1
<p>*Order replacement parts or complete assembly through Manufacturer's Distribution System, using Model/Spec. number shown.</p> <p>WHEEL HORSE part number is listed for Cross-Reference purposes only; Item <u>Is Not Available</u> through WHEEL HORSE.</p>				

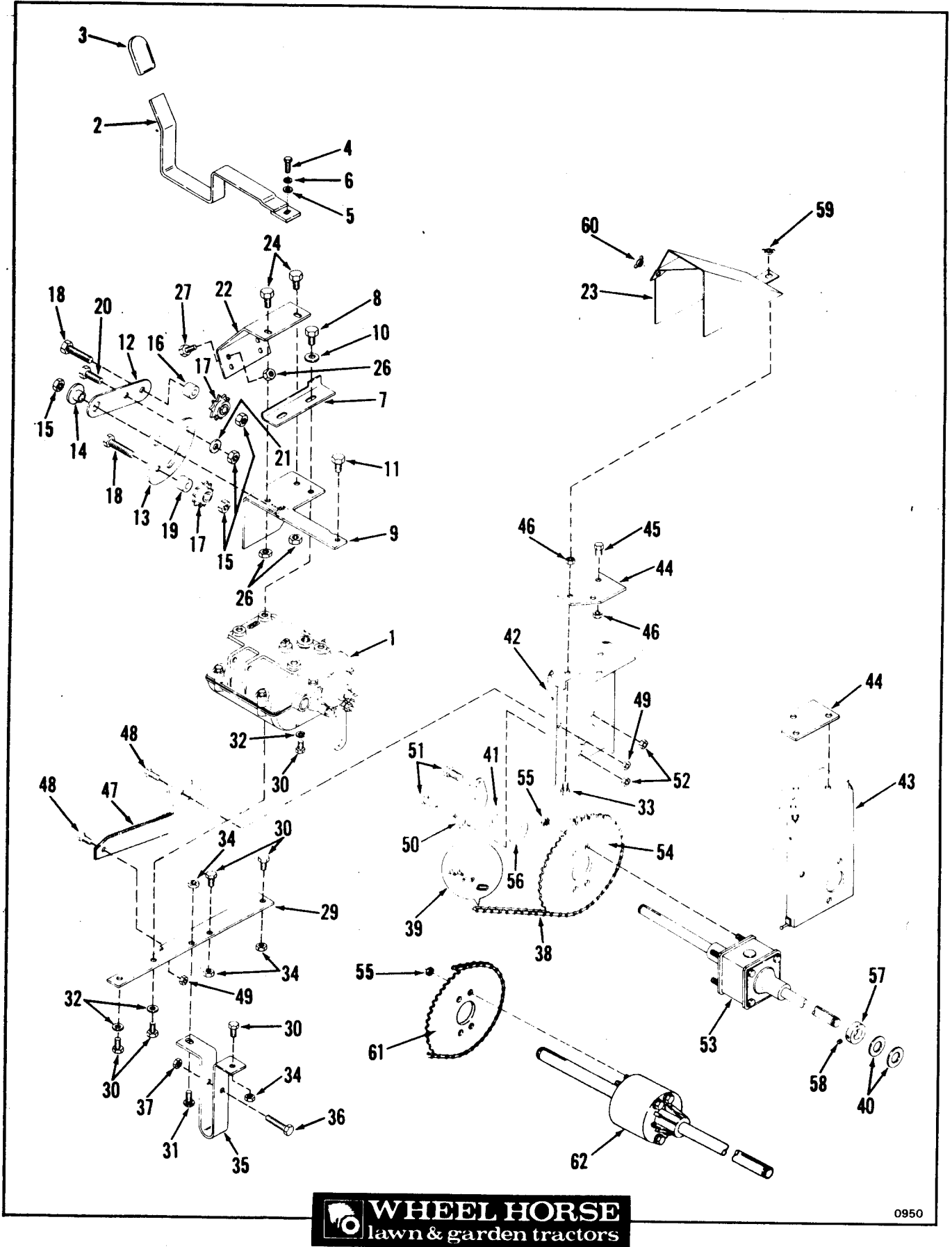


Figure 9-1 Transmission, Differential and Drive System

Item	Part Number	Description	A-81E,A-111	
			A-51,A-81R	
<b>Figure 9-1</b>				
<b>TRANSMISSION, DIFFERENTIAL AND DRIVE SYSTEM (Cont'd)</b>				
34	915112	Nut 5/16-18 Eslok	4	4
35	107787	Mower Guide	1	1
36	908037	Bolt 3/8-16 X 1 3/4	1	1
37	915113	Nut 3/8-16 Eslok	1	1
38	108598	Chain #40,1/2 in. Pitch,86 Pitches	1	1
39	6392	Master Link-Service Only	X	X
40	920250	Shim Washer .050	2	2
41	107812	Spacer	2	2
42	106952	Rear Axle Bracket RH	1	1
43	108454	Rear Axle Bracket LH	1	1
44	106983	Plate Rear Axle Support	2	2
45	908032	Bolt 3/8-16 X 3/4	5	5
46	915113	Nut 3/8-16 Eslok	6	6
47	106885	Brace-Rear Axle Bracket RH	1	1
48	908032	Bolt 3/8-16 X 3/4	2	2
49	915113	Nut 3/8-16 Eslok	2	2
50	106981	Bearing-Rear Axle	2	2
51	908032	Bolt 3/8-16 X 3/4	4	4
52	915113	Nut 3/8-16 Eslok	4	4
53	108607	Differential-Stewart Model 9000 - Later Production Models Only	1	1
54	108608	Sprocket-Differential 45 Tooth - Stewart Differential	1	1
55	915112	Nut 5/16-18 Eslok	4	4
56	920250	Shim Washer .050	X	X
57	1085	Collar	1	1
58	909848	Set Screw 1/4-20 X 1/4 Eslok	1	1
59	915586	Wing Nut 3/8-16	1	
60	915584	Wing Nut 1/4-20	1	
61	106996	Sprocket-Differential 45 Tooth - Peerless Differential	1	1
62	106995*	Differential-Peerless Model 167A - Early Production Models Only	1	1
<p>*Order replacement parts or complete assembly through Manufacturer's Distribution System, using Model/Spec. number shown.</p> <p>WHEEL HORSE part number is listed for Cross-Reference purposes only; Item <u>Is Not Available</u> through WHEEL HORSE.</p>				

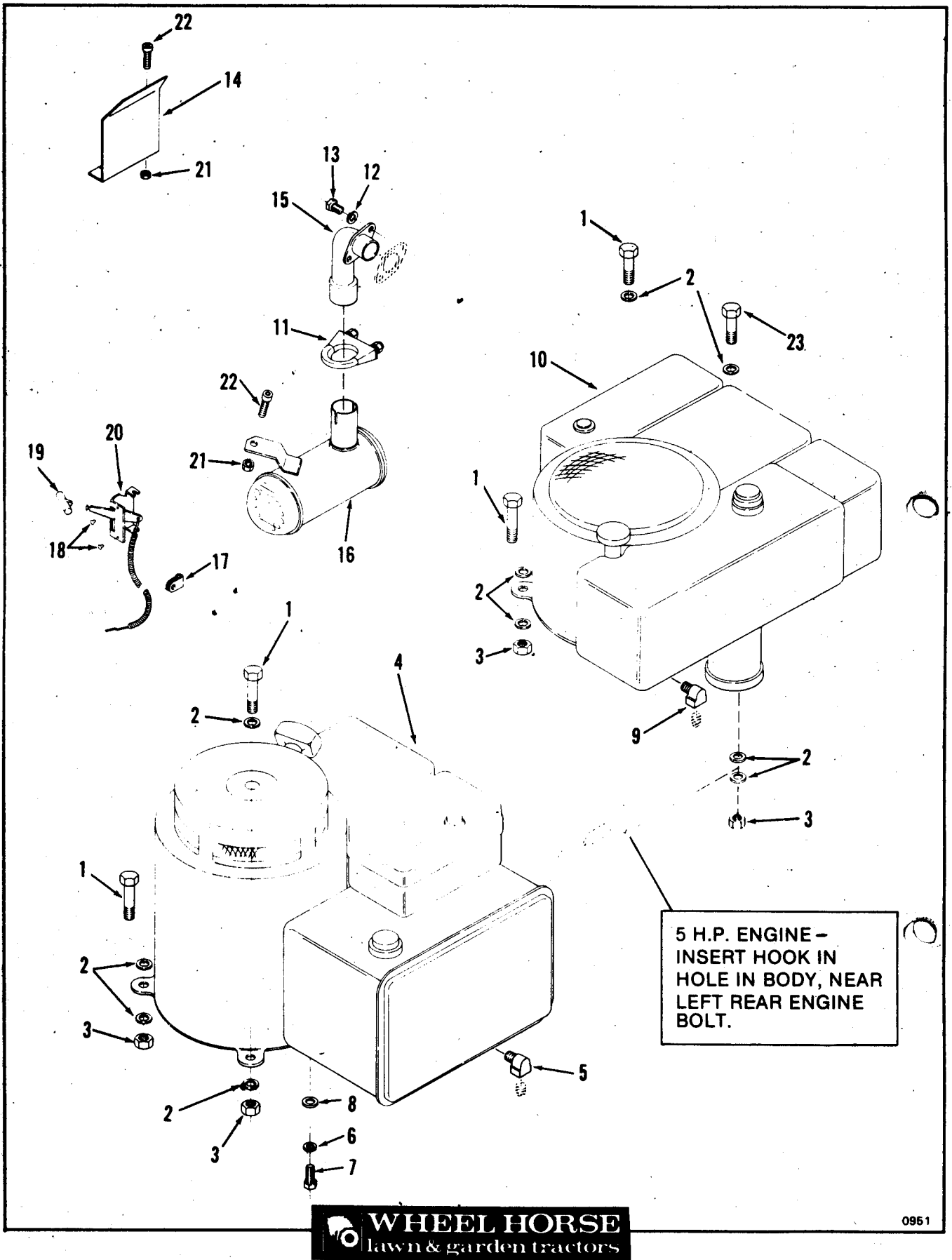
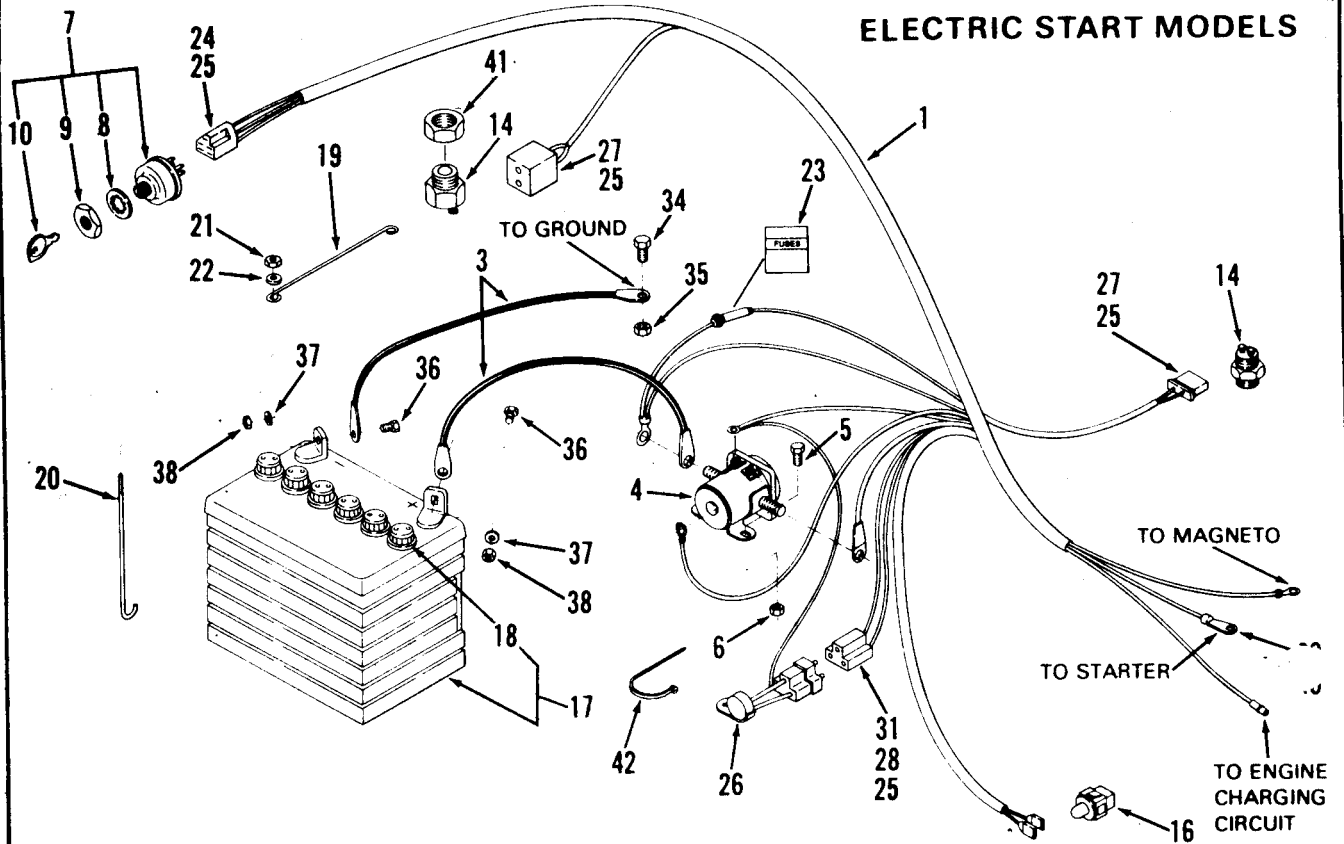


Figure 9-2

Engine, Throttle Control and Exhaust System

Item	Part Number	Description	A-81E,A-111	
			A-51,A-81R	
<b>Figure 9-2 ENGINE, THROTTLE CONTROL AND EXHAUST SYSTEM</b>				
1	908021	Bolt 5/16-18 X 1 1/2 .....	3	3
1	908022	Bolt 5/16-18 X 1 3/4 A-81R, A-81E, A-111 Only .....	1	1
2	920008	Washer 5/16 SAE .....	5	5
2	920008	Washer 5/16 SAE A-81R, A-81E Only .....	2	2
2	2844	Washer Special A-111 Only (Front Bolts) .....		2
3	915112	Nut 5/16-18 Eslok A-51 Only .....	1	
3	915112	Nut 5/16-18 Eslok A-81R, A-81E, A-111 Only .....	5	5
4	107807	Engine 5 H.P. - B & S Model 130902 Type 0584-01 A-51 Only .....	1	
5	943063	Street Elbow A-51 Only .....	1	
6	920083	Lockwasher 3/8 A-51 Only .....	1	
7	913614	Bolt 3/8-12 X 1 1/4 S.T. A-51 Only .....	1	
8	920009	Washer 3/8 SAE A-51 Only .....	1	
9	5222	Street Elbow A-81R, A-81E, A-111 .....	1	1
10	108559*	Engine 8 H.P. - B & S Model 191707 Type 5663-01 A-81E Only .....		1
10	107809*	Engine 8 H.P. - B & S Model 191702 Type 5648-01 A-81R Only .....	1	
10	108468*	Engine 11 H.P. - B & S Model 252707 Type 0196-01 A-111 Only .....		1
11	106858	Clamp A-111 Only .....		1
12	920082	Lockwasher 5/16 A-111 Only .....		2
13	908015	Bolt 5/16-18 X 1/2 A-111 Only .....		2
14	108493	Deflector - Exhaust A-111 Only .....		1
15	108467	Exhaust Manifold A-111 Only .....		1
16	108466	Muffler A-111 Only .....		1
17	100729	Clamp-Throttle Cable A-51 Only .....	1	
18	923786	Poprivet 1/8 Dia. X .357 .....	2	2
19	107045	Knob-Choke & Throttle Control .....	1	1
20	107015	Control-Choke & Throttle .....	1	
20	107014	Control-Choke & Throttle .....		1
21	915112	Nut 5/16-18 Eslok A-111 Only .....		2
22	911066	Bolt 5/16-18 X 5/8 Socket HD. A-111 Only .....		2
23	908022	Bolt 5/16-18 X 1 3/4 A-81R, A-81E, A-111 Only .....	1	1
<p>*Order replacement parts or complete assembly through Manufacturer's Distribution System, using Model/Spec. number shown.</p> <p>WHEEL HORSE part number is listed for Cross-Reference purposes only; Item <u>Is Not Available</u> through WHEEL HORSE.</p>				

ELECTRIC START MODELS



RECOIL START MODELS

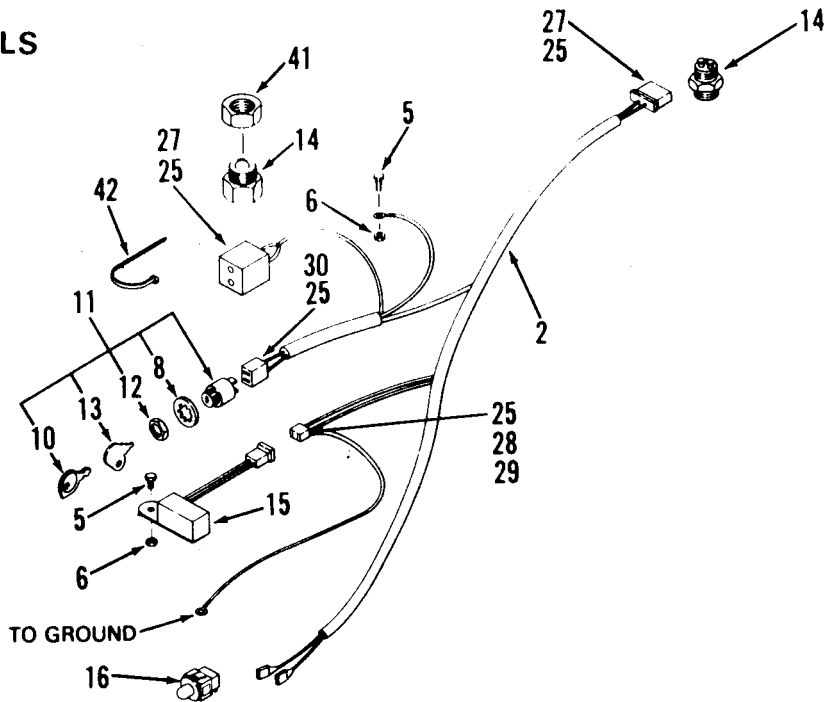


Figure 11-1

Electrical System

Item	Part Number	Description	A-81E,A-111	
			A-51,A-81R	
<b>Figure 11-1 ELECTRICAL SYSTEM</b>				
1	108436*	Wiring Harness .....		1
2	108441	Wiring Harness .....	1	
3	8655	Cable-Battery .....		2
4	108437	Solenoid .....		1
5	908001	Bolt 1/4-20 X 1/2 .....	2	2
6	915111	Nut 1/4-20 Eslok .....	2	2
7	103991	Ignition Switch .....		1
8	920160	Lockwasher 5/8 Int. Tooth .....	1	1
9	101884	Nut 5/8-32 Thin .....		1
10	7262	Ignition Key Set of 2 .....		1
11	108757	Ignition Switch (Uses Ign. Key 7262) .....	1	
12	101884	Nut 5/8-32 Thin .....	1	
13	102801	Ignition Key (Used With Ign. Switch 102820) .....	1	
14	105877	Interlock Switch-Transmission & Seat .....	2	2
15	108440	Interlock Module .....	1	
16	107072	Interlock Switch - PTO .....	1	1
17	104962	Battery .....		1
18	100438	Battery Cap .....		6
19	108579	Rod-Hold Down .....		1
20	106911	Hook-Battery .....		2
21	915111	Nut 1/4-20 Eslok .....		2
22	920007	Washer 1/4 SAE .....		2
23	101639	Fuse-20 Amp SFE Box of 5 .....		1
24	105302	Conn. Body-Part of 1 .....		1
25	102651	Female Terminal-Part of 1,2 .....	X	X
26	108439	Interlock Module .....		1
27	106035	Conn. Body-Part of 1,2 .....	2	1
28	105306	Female Terminal-Part of 1, 2 .....	2	2
29	107625	Conn. Body-Part of 2 .....	1	
30	106039	Conn. Body-Part of 2 .....	1	
31	107628	Conn. Body-Part of 1 .....		1
34	908001	Bolt 1/4-20 X 1/2 .....		1
35	915111	Nut 1/4-20 Eslok .....		1
36	908003	Bolt 1/4-20 X 3/4 .....		2
37	920007	Washer 1/4 SAE .....		3
38	915111	Nut 1/4-20 Eslok .....		2
39	107831	Socket Housing .....		1
40	518074	Terminal .....		1
41	102277	Nut-Special .....	1	1
42	100571	Plastic Tie .....	1	1
NOTE: WIRING HARNESS PARTS NOT LISTED ARE NOT AVAILABLE FROM WHEEL HORSE AS INDIVIDUAL PARTS.				

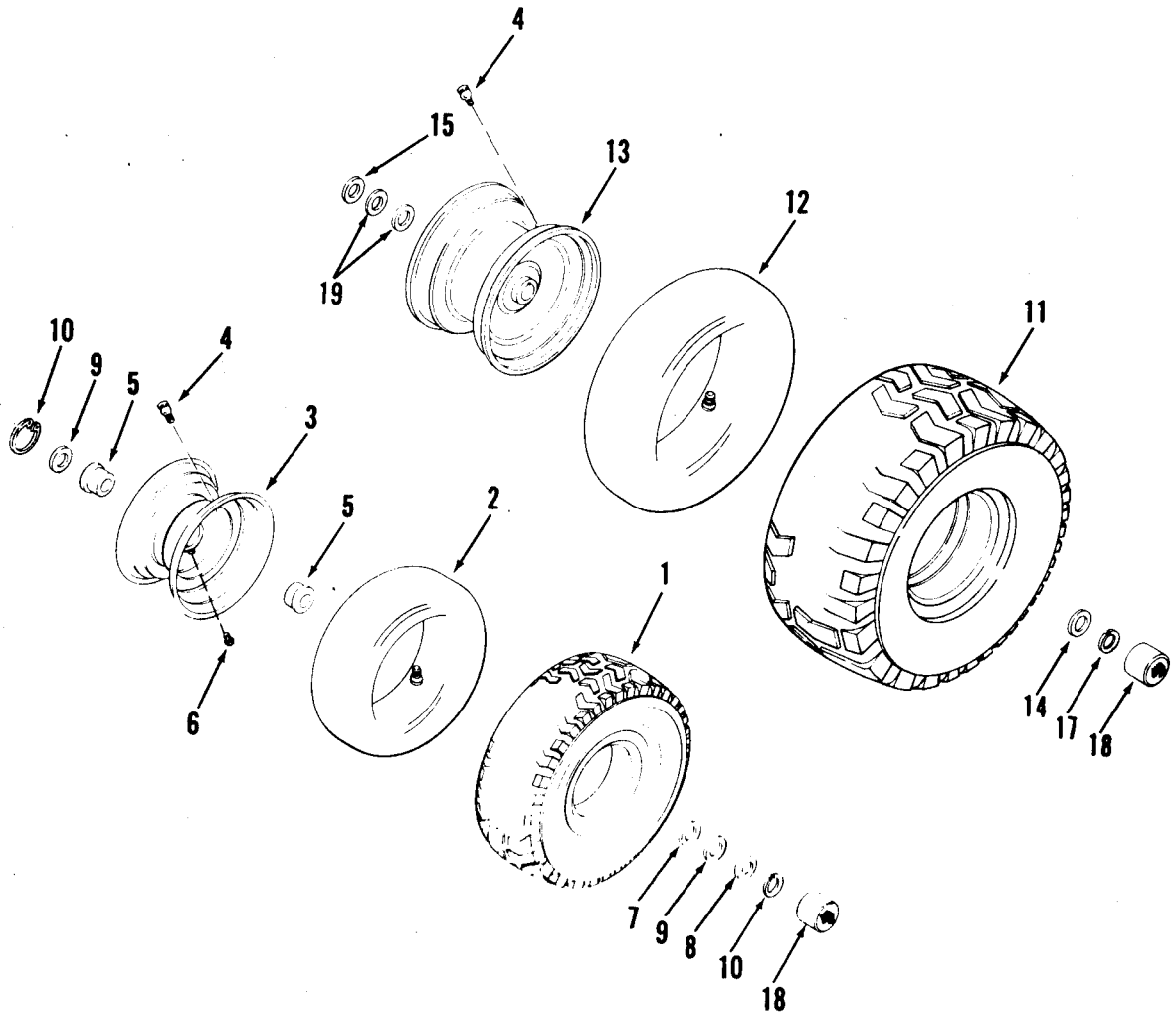


Figure 13-1

Wheels and Tires



Item	Part Number	Description	A-51, A-81R	A-81E, A-111
<b>Figure 13-1 WHEELS AND TIRES</b>				
1	108444	Tire-Front 4-10 X 3.50-4 A-51 Only .....	2	
1	8188	Tire-Front 13 X 5.00-6 A-81R, A-81E, A-111, E-81 Only .....	2	2
2	100041	Tube-Front A-51 Only .....	2	
2	100043	Tube-Front (Service Only) A-81R, A-81E, A-111 .....	2	2
3	108443	Wheel-Front A-51 Only .....	2	
3	106922	Wheel-Front A-81R, A-81E, A-111 .....	2	2
4	5108	Valve Stem (Tubeless Tire) .....	4	4
5	100166	Flange Bushing .....	4	4
6	1030	Grease Fitting .....	2	2
7	5210	Shim Washer .015 .....	2	2
8	920256	Washer-Special (Hubcap) .....	2	2
9	920250	Shim Washer .050 .....	4	4
10	104822	Snap Ring 3/4 Ext. H.D. ....	4	4
11	8188	Tire-Rear 13 X 5.00-6 A-51 Only .....	2	
11	8119	Tire-Rear 15 X 6.00-6 A-81R, A-81E, A-111 .....	2	2
12	100043	Tube-Rear (Service Only) A-51 Only .....	2	
12	100079	Tube-Rear (Service Only) A-81R, A-81E, A-111 .....	2	2
13	108449	Wheel-Rear A-51 Only .....	2	
13	108675	Wheel-Rear .....	2	2
14	920256	Washer-Special (Hubcap) .....	2	2
15	920250	Shim Washer .050 .....	2	2
17	104822	Snap Ring 3/4 Ext. H.D. ....	2	2
18	103634	Hub Cap .....	4	4
19	920256	Washer - Special (Shim) .....	X	X

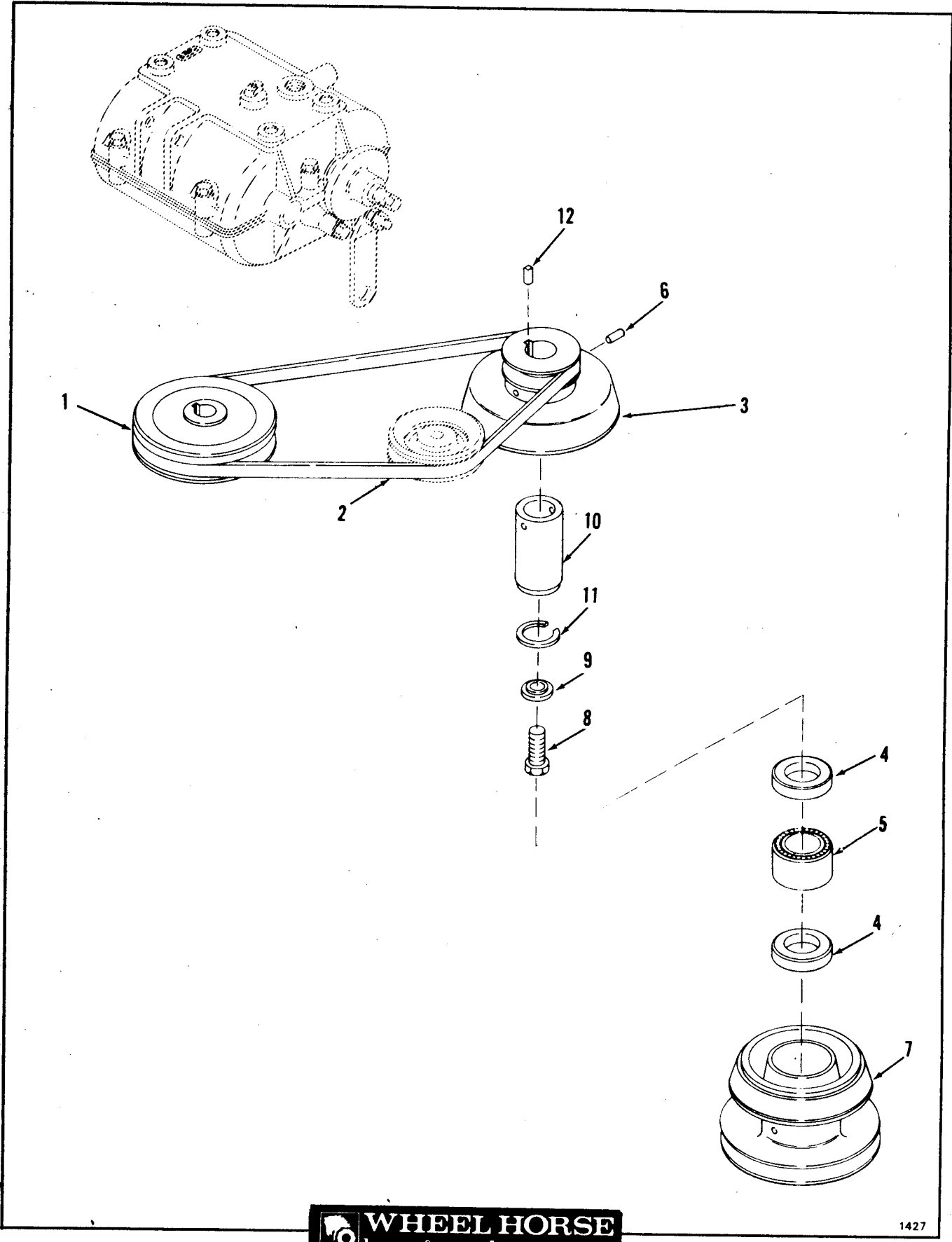


Figure 14-1 Drive Belt and Pulleys

Item	Part Number	Description	A-51,A-81R	A-81E,A-111
<b>Figure 14-1 DRIVE BELT AND PULLEYS</b>				
1	106984	Pulley-Transmission .....	1	1
2	9430	Belt-Transmission Drive .....	1	1
3	108286	Pulley-Engine .....	1	1
4	6663	Oil Seal .....	2	2
5	106769	Needle Bearing .....	1	1
6	933181	Spirol Pin 3/16 X 9/16 .....	2	2
7	106565	Pulley-Mower Drive .....	1	1
8	908184	Bolt 3/8-24 X 1 1/4 .....	1	
8	908196	Bolt 7/16-20 X 1 1/4 .....		1
9	108597	Washer-Special .....	1	1
10	108596	Bearing Race .....	1	1
11	936017	Retaining Ring .....	1	1
12	105453	Key Sq. 1/4 X 5/8 .....	1	1

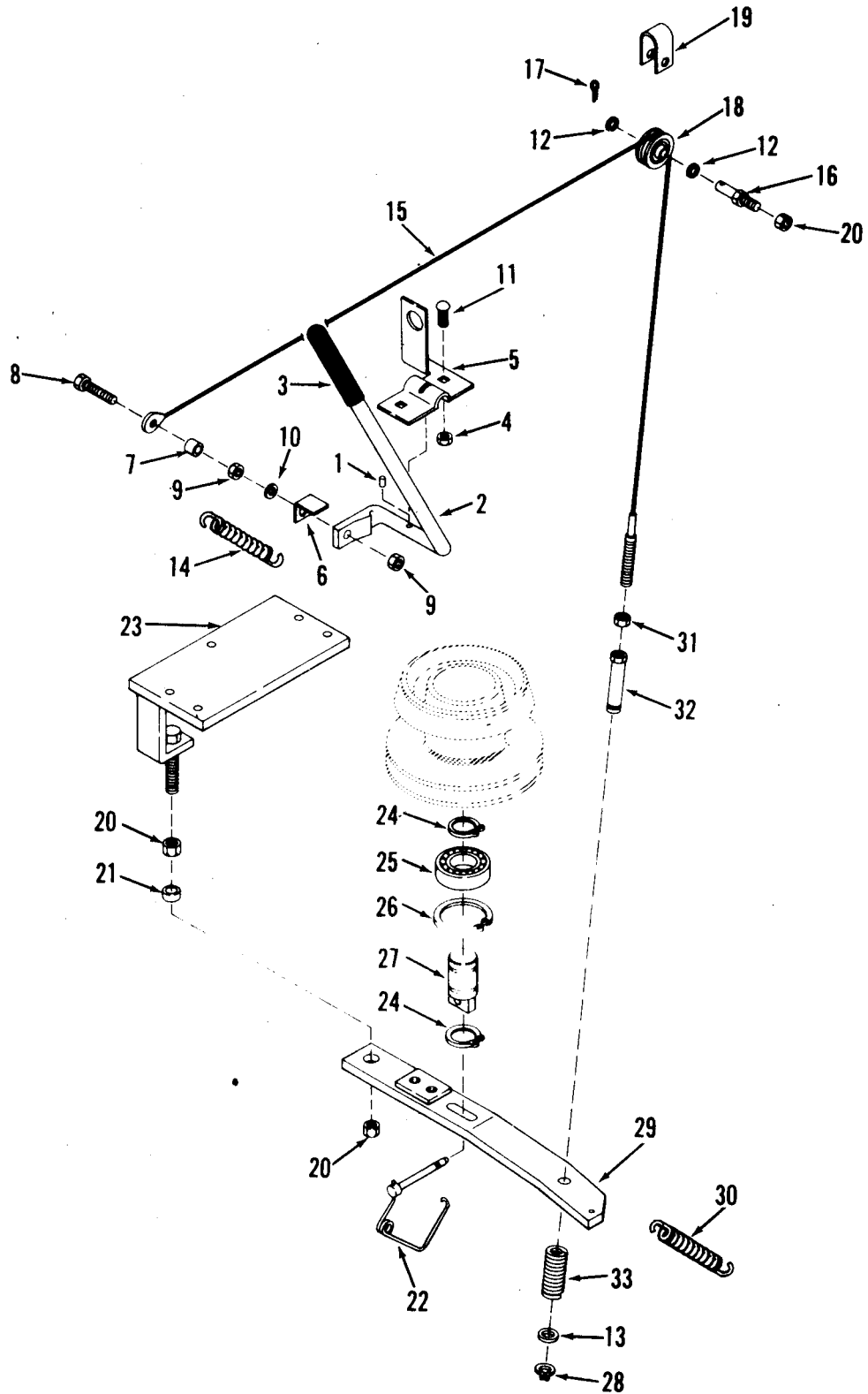


Figure 14-2 PTO Clutch

Item	Part Number	Description	A-51,A-81R	A-81E,A-111
<b>Figure 14-2 PTO CLUTCH</b>				
1	933182	Spirol Pin 3/16 X 5/8		
2	108336	PTO Clutch Lever	1	1
3	9038	Grip	1	1
4	915112	Nut 5/16-18 Eslok	1	1
5	108293	Clamp	2	2
6	108295	Angle	1	1
7	6990	Spacer	1	1
8	908007	Bolt 1/4-20 X 1 1/2	1	1
9	915111	Nut 1/4-20 Eslok	1	1
10	920007	Washer 1/4 SAE	2	2
11	900285	Carriage Bolt 5/16-18 X 5/8	1	1
12	920009	Washer 3/8 SAE	2	2
13	920259	Washer-Special	2	2
14	107788	Spring	1	1
15	108434	Cable	1	1
16	108435	Stud	1	1
17	932008	Cotter Pin 3/32 X 3/4	1	1
18	106474	Roller-Cable	1	1
19	106469	Strap-Cable	1	1
20	915113	Nut 3/8-16 Eslok	1	1
21	108433	Spacer-Clutch Bar	3	3
22	105850	Locking Pin	1	1
23	108337	Clutch Plate	1	1
24	936125	Snap Ring 3/4 Ext.	1	1
25	106947	Ball Bearing	2	2
26	936032	Snap Ring 1 3/4 Int.	1	1
27	108431	Shaft-Clutch Hsg.	1	1
28	107825	Snap Ring-Special	1	1
29	108535	Clutch Brake Bracket	1	1
30	108462	Spring	1	1
31	915235	Nut 5/16-18 Jam	1	1
32	107818	Threaded Spacer	1	1
33	106573	Spring-Clutch	1	1

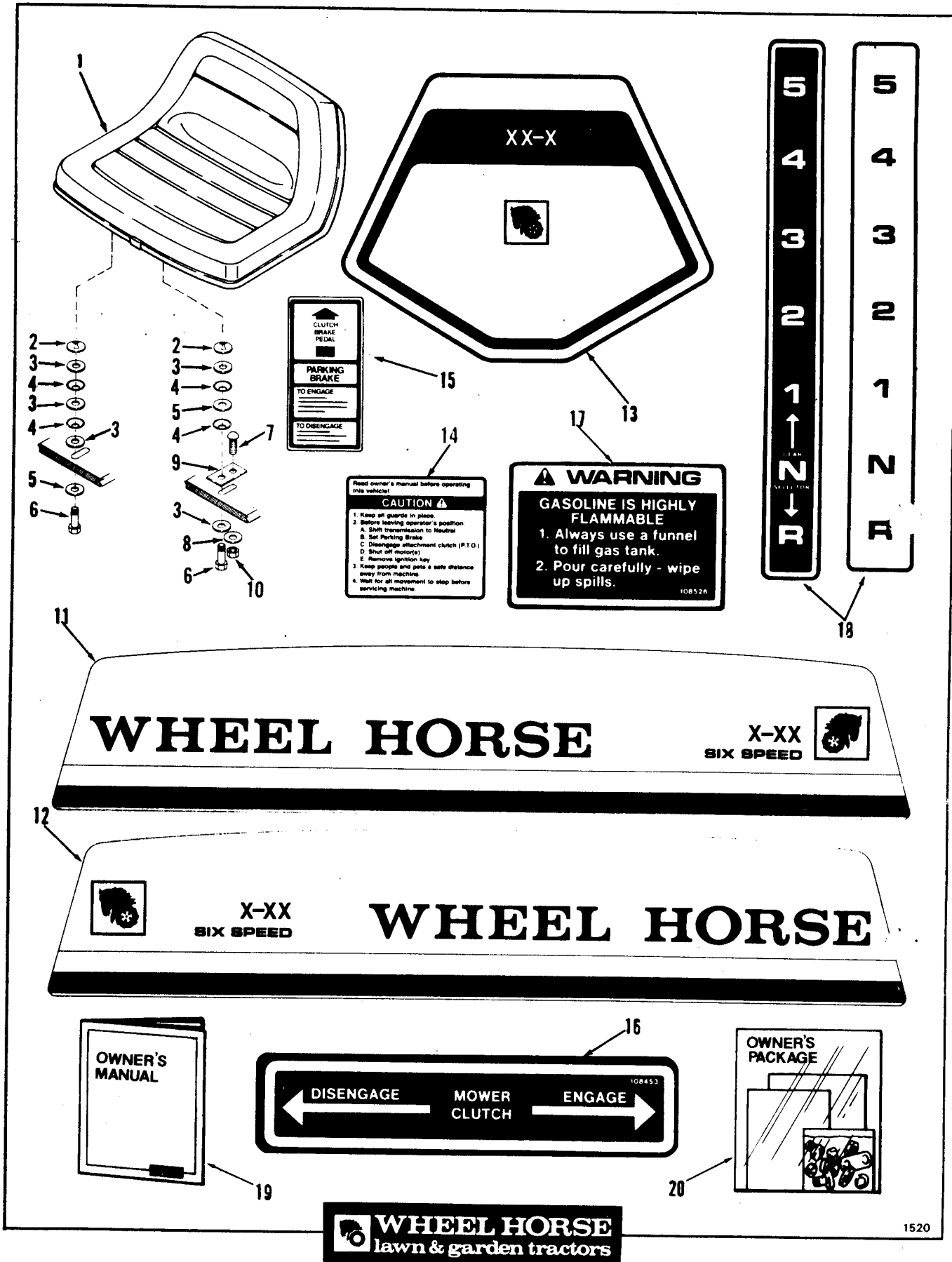
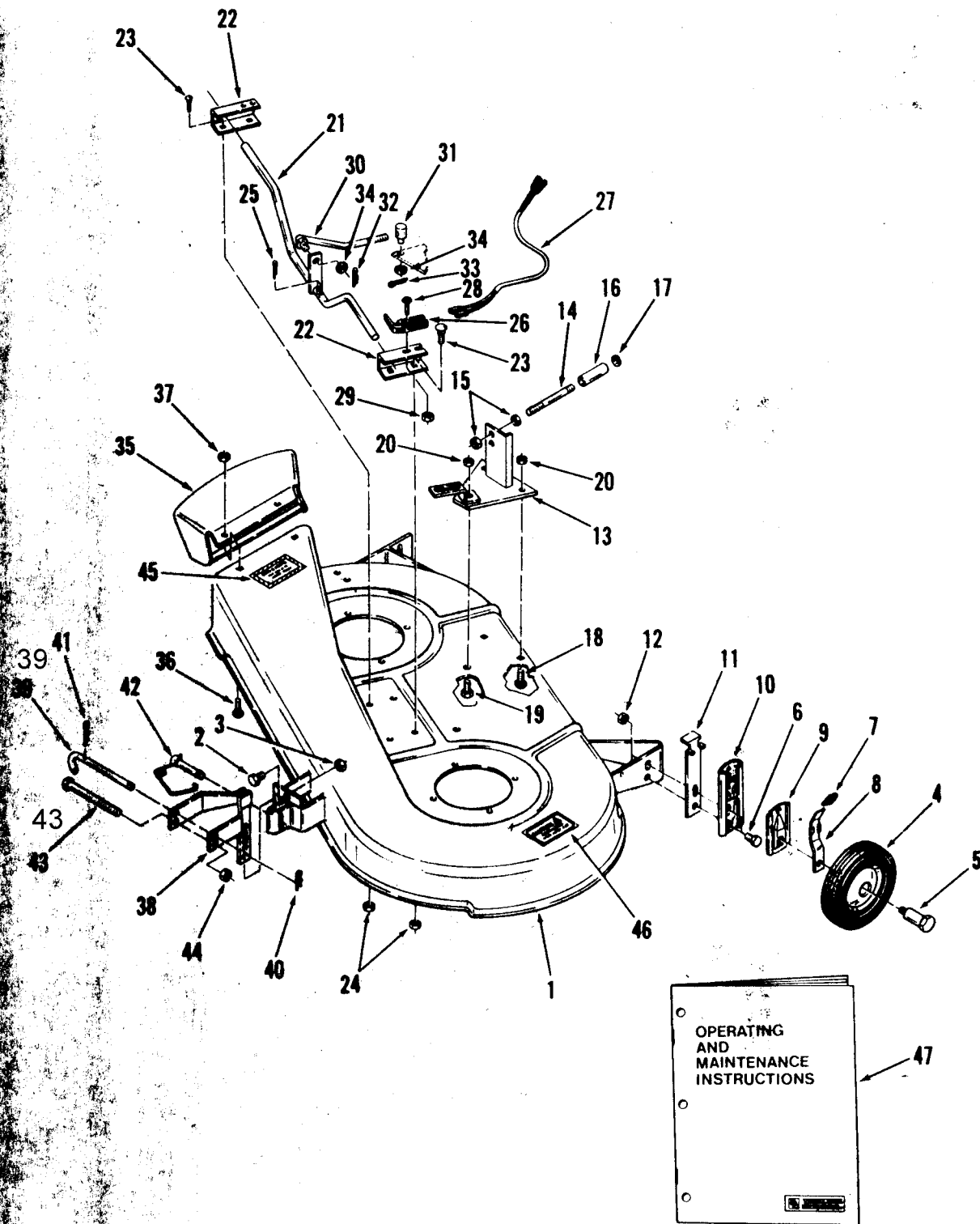


Figure 15-1

Seat, Decals and Miscellaneous

Item	Part Number	Description	A-81E,A-111	
			A-51,A-81R	
<b>Figure 15-1</b>				
<b>SEAT, DECALS AND MISCELLANEOUS</b>				
1	107016	Seat A-51 Only .....	1	
1	105259	Seat A-81R Only .....	1	
1	105259	Seat .....		1
2	108457	Push Nut .....	4	4
3	920209	Washer-Special .....	10	10
4	108571	Spring Washer .....	8	8
5	920008	Washer 5/16 SAE .....	4	4
6	108438	Special Bolt 5/16-18 .....	4	4
7	900036	Carriage Bolt 5/16-18 .....	2	2
8	915112	Nut 5/16-18 Eslok .....	2	2
9	108340	Plate Seat .....	2	2
10	920009	Washer 3/8 SAE .....	2	2
11	106760	Decal-Hood A-51 RH .....	1	
11	106758	Decal-Hood A-81 RH .....		1
11	107718	Decal-Hood A-111 RH .....		1
12	106759	Decal-Hood A-51 LH .....	1	
12	106757	Decal-Hood A-81 LH .....	1	1
12	107719	Decal-Hood A-111 LH .....		1
13	106764	Decal-Shroud A-51 .....	1	
13	106763	Decal-Shroud A-81 .....		1
13	107717	Decal-Shroud A-111 .....		1
14	106712	Decal-Caution .....	1	1
15	107020	Decal-Parking Brake .....	1	1
16	108453	Decal-PTO .....	1	1
17	108526	Decal-Gasoline Fill Warning A-51 Only .....	1	
18	108452	Decal-Shift .....	1	1
19	810183R1	Owner's Manual .....	1	1
20	803304	New Rider Loose Parts Pkg A-51 .....	1	
20	803303	New Rider Loose Parts Pkg A-81E .....		1
20	803305	New Rider Loose Parts Pkg A-81R .....	1	
20	803306	New Rider Loose Parts Pkg A-111 .....		1

**SIDE DISCHARGE MOWERS — 32 in. (81 cm)**  
**VEHICLE IDENTIFICATION NUMBERS 95-32MS01, 95-32XS01**





**SIDE DISCHARGE MOWERS — 32 in. (81 cm)**  
**VEHICLE IDENTIFICATION NUMBERS — 95-32MS01, 95-32XS01**

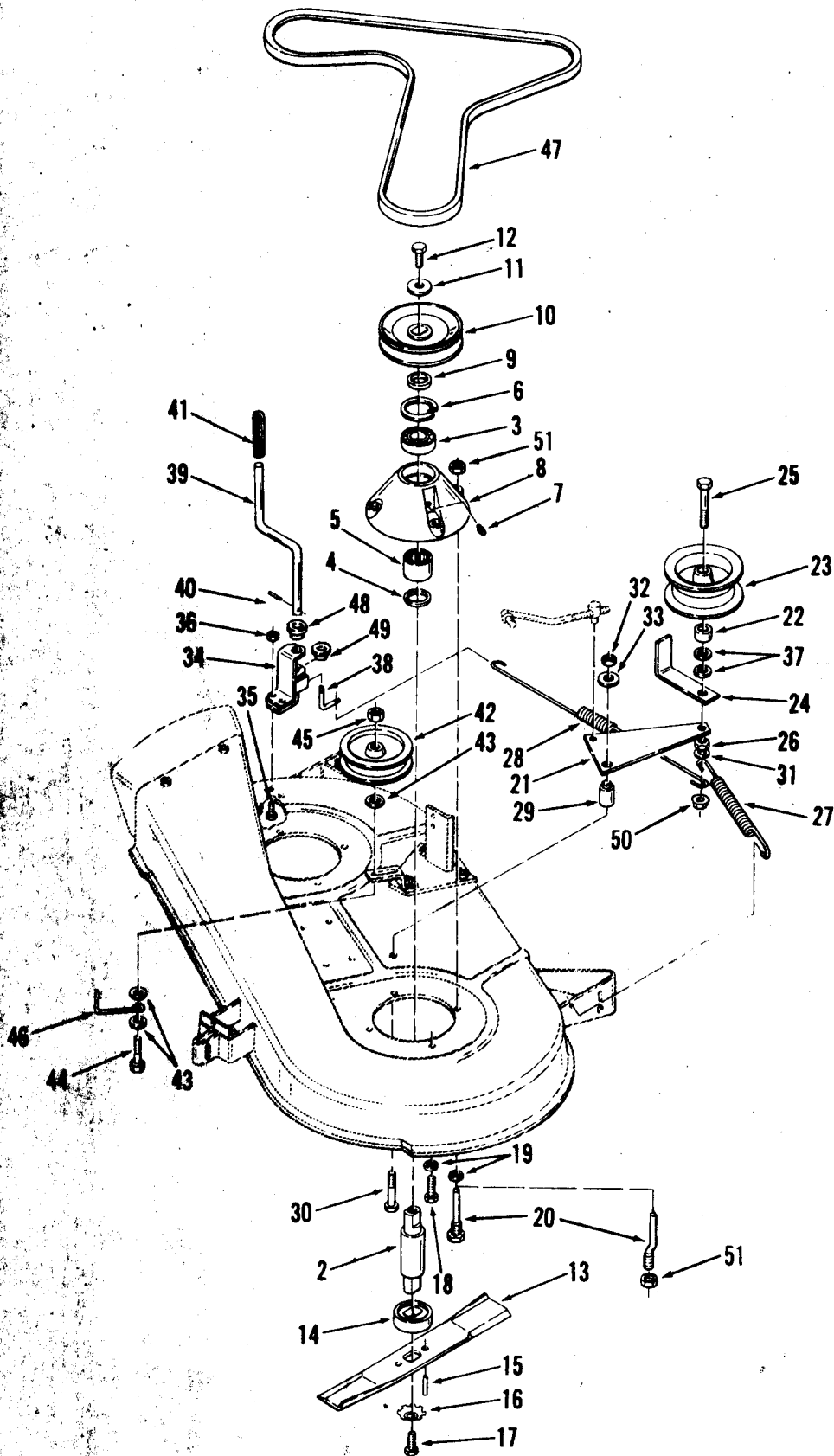
Parts available only through Authorized Dealers.

When ordering parts always list Part No. and Description.

**(Specifications subject to change without notice.)**

ITEM NO.	PART NO.	DESCRIPTION	NO. REQ'D.
1	107273	Mower Deck for 95-32MS01	1
1	107641	Mower Deck for 95-32XS01	1
2	908034	Bolt $\frac{3}{8}$ -16 x 1	1
3	915113	Eslok Nut $\frac{3}{8}$ -16	1
4	107207	Wheel 6 x 1.25	2
5	107268	Shoulder Bolt	2
6	7860	Special Bolt.	4
7	7859	Cap	2
8	7858	Lever	2
9	7857	Slide	2
10	7856	Backing Plate	2
11	107254	Lift	2
12	915113	Eslok Nut $\frac{3}{8}$ -16	4
13	107289	Rear Hanger Support	1
14	107257	Rear Hanger Rod	1
15	915115	Eslok Nut $\frac{1}{2}$ -13	2
16	106383	Sleeve	1
17	936117	Snap Ring — $\frac{1}{2}$ External	1
18	900062	Carriage Bolt $\frac{3}{8}$ -16 x $\frac{3}{4}$	2
19	908034	Bolt $\frac{3}{8}$ -16 x 1	1
20	915113	Eslok Nut $\frac{3}{8}$ -16	3
21	107291	Belt Stop Rod for 95-32MS01	1
21	107645	Belt Stop Rod for 95-32XS01	1
22	107294	Bracket	2
23	900036	Carriage Bolt $\frac{5}{16}$ -18 x $\frac{5}{8}$	4
24	915112	Eslok Nut $\frac{5}{16}$ -18	4
25	932008	Cotter Pin $\frac{3}{32}$ x $\frac{3}{4}$	2
26	107232	Interlock Switch	1
27	107296	Wiring Harness	1
28	911908	Fillister Hd. Screw #8-32 x 1	1
29	915962	Keps Nut #8-32	1
30	107297	Adjustment Rod	1
31	101161	Trunnion	1
32	933504	Hairpin Cotter	1
33	932017	Cotter Pin $\frac{1}{8}$ x 1	1
34	920009	Washer $\frac{3}{8}$ SAE	2
35	107259	Chute Extension	1
36	900036	Carriage Bolt $\frac{5}{16}$ -18 x $\frac{5}{8}$	2
37	915112	Eslok Nut $\frac{5}{16}$ -18	2
38	107262	Front Hanger	1
39	107214	"J" Pin	1
40	933504	Hairpin Cotter	1
41	932008	Cotter Pin	1
42	107266	Locking Pin	1
43	908143	Bolt $\frac{3}{8}$ -16 x 5	1
44	915113	Eslok Nut	1
45	106746	Decal — Caution	1
46	105206	Decal — Caution	1
47	810010R1	Operating and Maintenance Instructions for 95-32MS01	1
47	810108R1	Operating and Maintenance Instructions for 95-32XS01	1

**SIDE DISCHARGE MOWERS — 32 in. (81 cm)**  
**VEHICLE IDENTIFICATION NUMBERS 95-32MS01, 95-32XS01**



**SIDE DISCHARGE MOWERS — 32 in. (81 cm)**  
**VEHICLE IDENTIFICATION NUMBERS 95-32MS01, 95-32XS01**

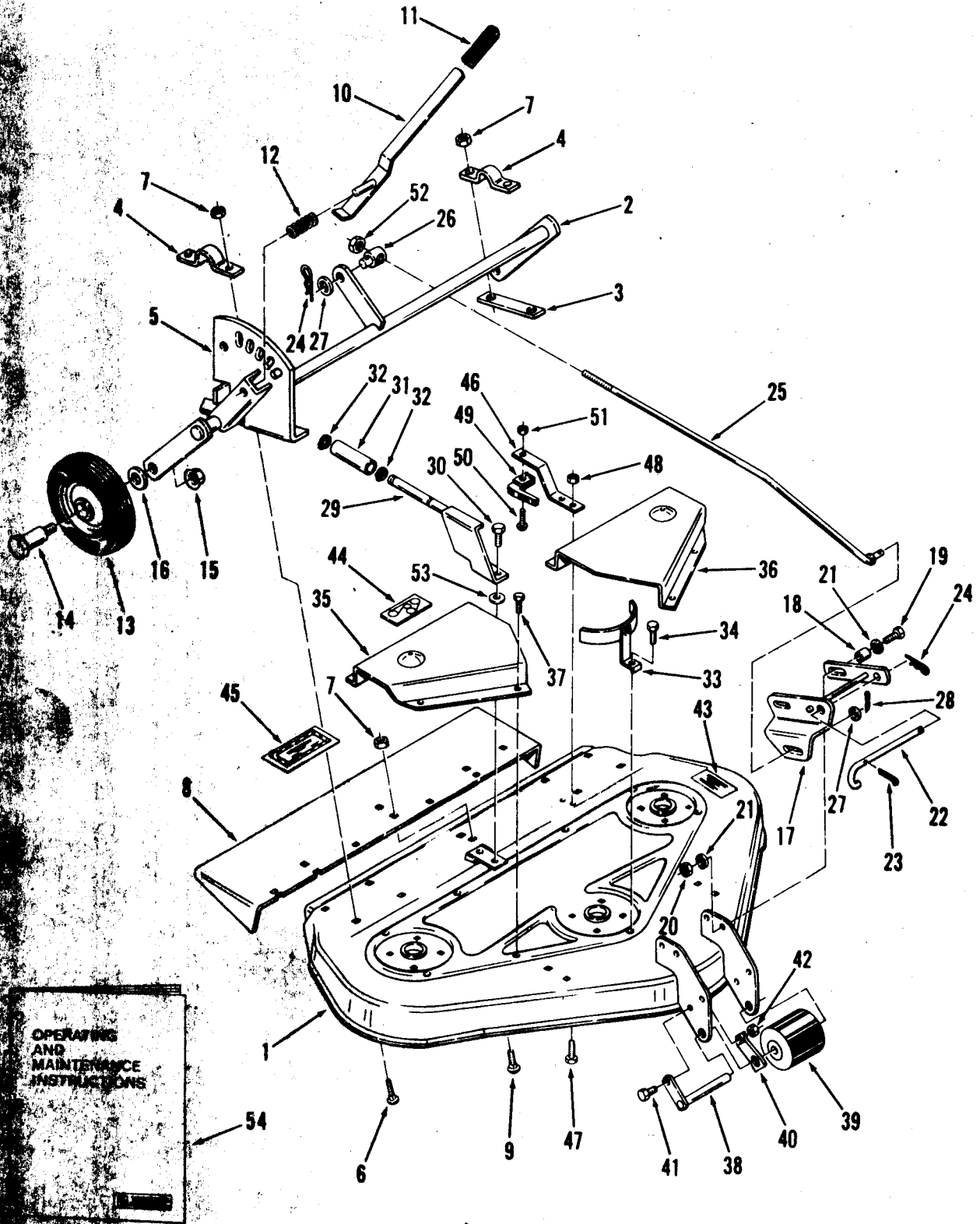
Parts available only through Authorized Dealers.

When ordering parts always list Part No. and Description.

**(Specifications subject to change without notice.)**

ITEM NO.	PART NO.	DESCRIPTION	NO. REQ'D.
1	107275	Spindle Assembly (includes parts 2, 3, 4, 5, 6, 7, & 8)	2
2	103691	Spindle Shaft	1
3	101480	Ball Bearing	1
4	100863	Seal	1
5	1528	Needle Bearing	1
6	936029	Snap Ring	1
7	3796	Grease Fitting	1
8	8242	Spindle Housing	1
9	8244	Spacer	2
10	107276	Pulley for 95-32MS01	2
10	107643	Pulley for 95-32XS01	2
11	2844	Special Washer	2
12	908032	Nylok Bolt $\frac{3}{8}$ -16 x $\frac{3}{4}$	2
13	106163	Mower Blades (Set of 2) for 95-32MS01	1
13	108040	Mower Blades (Set of 2) for 95-32XS01	1
14	8248	Spindle Cup	2
15	933211	Spirol Pin $\frac{1}{4}$ x $\frac{3}{4}$	4
16	1336	Dome Washer	2
17	908032	Nylok Bolt $\frac{3}{8}$ -16 x $\frac{3}{4}$	2
18	908033	Bolt $\frac{3}{8}$ -16 x $\frac{7}{8}$	6
19	920083	Lockwasher $\frac{3}{8}$	8
20	107278	Belt Guide for 95-32MS01	2
20	107644	Belt Guide for 95-32XS01	2
21	107279	Idler Arm	1
22	6638	Spacer	1
23	107280	Idler Pulley (Wide)	1
24	107281	Belt Guide	1
25	908138	Bolt $\frac{3}{8}$ -16 x $3\frac{1}{4}$	1
26	915113	Eslok Nut $\frac{3}{8}$ -16	2
27	107282	Spring (Small)	1
28	107283	Spring (Large)	1
29	107284	Pivot Bushing	1
30	908040	Bolt $\frac{3}{8}$ -16 x $2\frac{1}{2}$	1
31	920009	Washer $\frac{3}{8}$ SAE	1
32	915113	Eslok Nut $\frac{3}{8}$ -16	1
33	2844	Special Washer	1
34	107395	Pivot Bracket	1
35	908017	Bolt $\frac{3}{16}$ -18 x $\frac{3}{4}$	2
36	915112	Eslok Nut $\frac{3}{16}$ -18	2
37	920009	Washer $\frac{3}{8}$ SAE	2
38	107222	Engagement Bar	1
39	107223	Engagement Lever	1
40	933152	Spirol Pin $\frac{1}{8}$ x $\frac{3}{4}$	1
41	9038	Grip	1
42	6719	Idler Pulley (Narrow)	1
43	920009	Washer $\frac{3}{8}$ SAE	3
44	908038	Bolt $\frac{3}{8}$ -16 x 2	1
45	915113	Eslok Nut $\frac{3}{8}$ -16	1
46	107288	Belt Guide	1
47	107298	Drive Belt for 95-32MS01	1
47	107647	Drive Belt for 95-32XS01	1
48	5983	Bushing $\frac{1}{2}$ I.D.	1
49	5979	Bushing $\frac{3}{8}$ I.D.	1
50	102809	Special Nut $\frac{3}{8}$ -16 Large Flange	1
51	915112	Eslok Nut $\frac{3}{16}$ -18 for 95-32XS01	4

REAR DISCHARGE MOWERS — 36 in. (92 cm)  
VEHICLE IDENTIFICATION NUMBERS 95-36YR01, 95-36YR02



REAR DISCHARGE MOWERS — 36 in. (92 cm)

VEHICLE IDENTIFICATION NUMBERS 95-36YR01, 95-36YR02

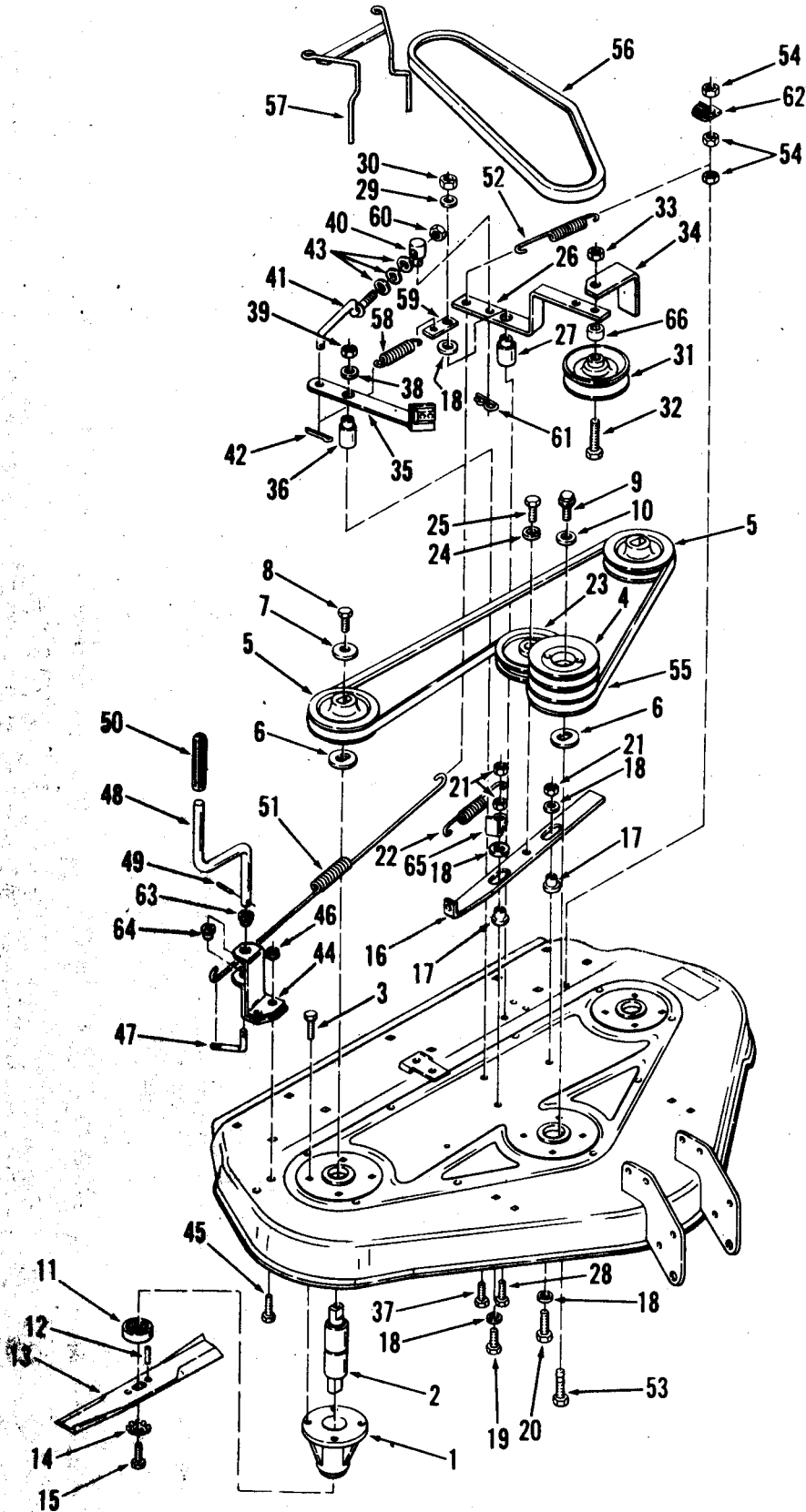
Parts available only through Authorized Dealers.

When ordering parts always list Part No. and Description.

(Specifications subject to change without notice.)

ITEM NO.	PART NO.	DESCRIPTION	NO. REQ'D.
1	107190	Mower Deck for 95-36YR01	1
1	107416	Mower Deck for 95-36YR02	1
2	107202	Gage Wheel Support	1
3	106377	Strap	1
4	106378	Clamp	1
5	107204	Quadrant	1
6	900063	Carriage Bolt $\frac{3}{8}$ -16 x 1	4
7	915113	Eslok Nut $\frac{3}{8}$ -16	5
8	106480	Chute Extension	1
9	900062	Carriage Bolt $\frac{3}{8}$ -16 x $\frac{3}{4}$	1
10	107205	Height Control Lever	1
11	102579	Grip	1
12	101853	Spring	1
13	107207	Wheel — 6 x 1.25	2
14	107208	Shoulder Bolt	2
15	915113	Eslok Nut $\frac{3}{8}$ -16	2
16	3765	Shim Washer	2
17	107209	Front Support	1
18	107213	Spacer	2
19	908035	Bolt $\frac{3}{8}$ -16 x $1\frac{1}{4}$	2
20	915113	Eslok Nut $\frac{3}{8}$ -16	2
21	920039	Washer $\frac{3}{8}$ U.S.	4
22	107214	"J" Pin	1
23	932008	Cotter Pin $\frac{3}{32}$ x $\frac{3}{4}$	1
24	933504	Hairpin Cotter	2
25	107215	Leveling Rod	1
26	6739	Trunnion	1
27	920009	Washer $\frac{3}{8}$ SAE	2
28	932016	Cotter Pin $\frac{1}{8}$ x $\frac{3}{4}$	1
29	107216	Rear Guide	1
30	926715	Bolt $\frac{3}{8}$ -16 x $\frac{3}{4}$ Swage Form	2
31	106383	Sleeve	1
32	936117	Snap Ring $\frac{1}{2}$ Ext.	2
33	107784	Belt Guard (Front)	1
34	926671	Bolt $\frac{1}{4}$ -20 x $\frac{1}{2}$ Swage Form	1
35	106478	Belt Cover R.H. for 95-36YR01	1
35	107450	Belt Cover R.H. for 95-36YR02	1
36	106479	Belt Cover L.H. for 95-36YR01	1
36	107449	Belt Cover L.H. for 95-36YR02	1
37	926671	Bolt $\frac{1}{4}$ -20 x $\frac{1}{2}$ Swage Form	8
38	102770	Roller Shaft	1
39	5240	Roller	1
40	102773	Spring	1
41	908002	Bolt $\frac{1}{4}$ -20 x $\frac{5}{8}$	1
42	915111	Eslok Nut $\frac{1}{4}$ -20	1
43	105206	Decal — Caution	2
44	107700	Decal — Height & Belt Adjustment	1
45	106746	Decal — Caution	1
46	107231	Switch Support Bracket	1
47	908002	Bolt $\frac{1}{4}$ -20 x $\frac{5}{8}$	2
48	915111	Eslok Nut $\frac{1}{4}$ -20	2
49	107232	Interlock Switch	1
50	911908	Fillister Hd. Screw #8-32 x 1	1
51	915962	Keps Nut #8-32	1
52	915663	E.S. Nut $\frac{3}{8}$ -16	1
53	2844	Washer	2
54	81010R1	Operating and Maintenance Instructions for 95-36YR01	1
54	810108R1	Operating and Maintenance Instructions for 95-36YR02	1

REAR DISCHARGE MOWERS — 36 in. (92 cm)  
VEHICLE IDENTIFICATION NUMBERS 95-36YR01, 95-36YR02



# VEHICLE IDENTIFICATION NUMBERS 95-36YR01, 95-36YR02

Parts available only through Authorized Dealers.

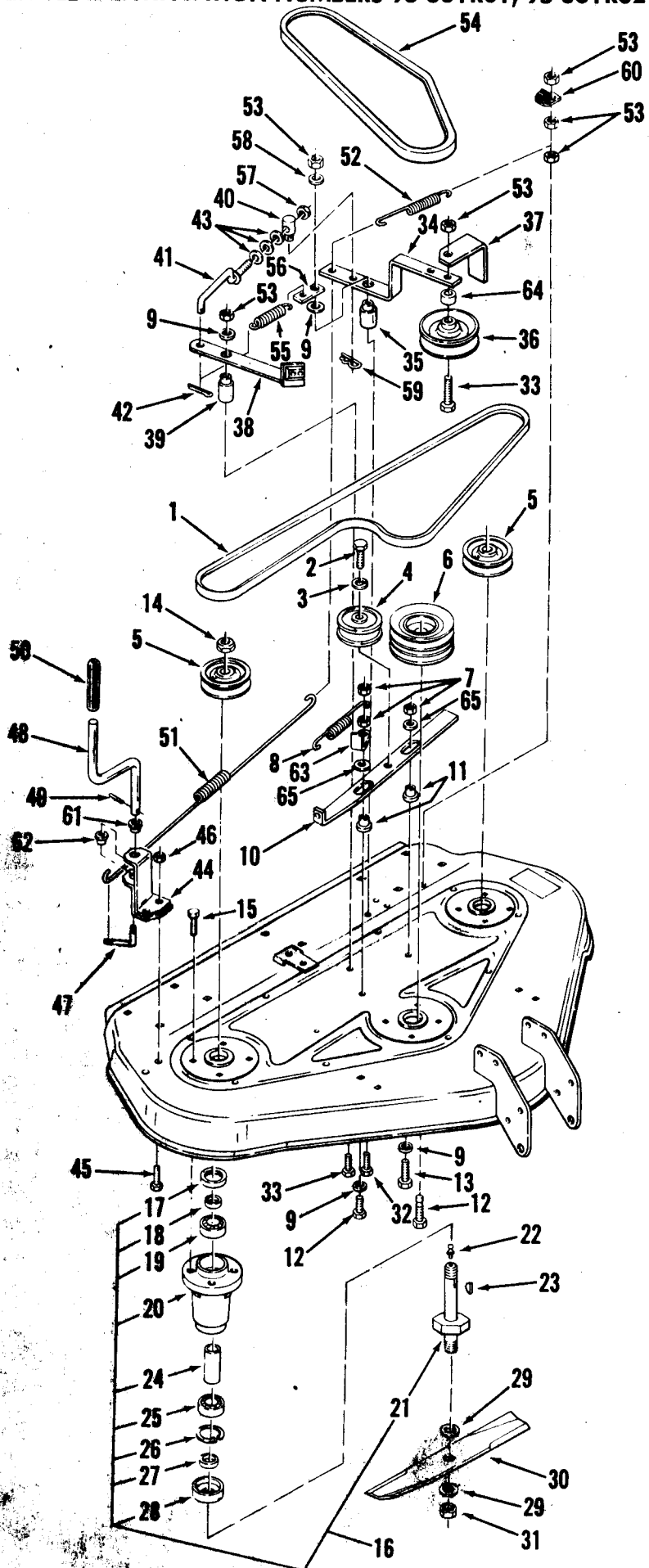
When ordering parts always list Part No. and Description.

**(Specifications subject to change without notice.)**

ITEM NO.	PART NO.	DESCRIPTION	NUMBER REQ'D.	
			95-36YR01	95-36YR02
1	105074	Spindle Housing	3	0
2	103119	Spindle Bearing & Shaft	3	0
3	908032	Nylok Bolt $\frac{3}{8}$ -16 x $\frac{3}{4}$	12	0
4	106113	Spindle Pulley - Center	1	0
5	105781	Spindle Pulley - Left or Right	2	0
6	105075	Special Washer - Double "D"	3	0
7	2844	Special Washer	2	0
8	908033	Nylok Bolt $\frac{3}{8}$ -16 x $\frac{7}{8}$	2	0
9	102972	Special Whizlock Bolt $\frac{3}{8}$ -16 x $\frac{7}{8}$	1	0
10	920039	Washer $\frac{3}{8}$ " U.S.	1	0
11	104373	Spindle Cup	3	0
12	933210	Spirol Pin $\frac{1}{4}$ x $\frac{5}{8}$	6	0
13	8969	Mower Blades (Set of 3)	1	0
14	1336	Dome Washer	3	0
15	908033	Nylok Bolt $\frac{3}{8}$ -16 x $\frac{7}{8}$	3	0
16	106120	Slide Bar	1	0
17	106121	Spacer/Bushing	2	0
18	2844	Special Washer	5	0
19	908035	Bolt $\frac{3}{8}$ -16 x $1\frac{1}{4}$	1	0
20	908037	Bolt $\frac{3}{8}$ -16 x $1\frac{3}{4}$	1	0
21	915113	Eslok Nut $\frac{3}{8}$ -16	3	0
22	100071	Tension Spring	1	0
23	7434	Flat Idler Pulley	1	0
24	920083	Lockwasher $\frac{3}{8}$	1	0
25	105865	Special Bolt $\frac{3}{8}$ -16 x $1\frac{1}{4}$ (Short Head)	1	0
26	107193	Idler Arm	1	0
27	107194	Pivot Bushing	1	0
28	908038	Bolt $\frac{3}{8}$ -16 x 2	1	0
29	920009	Washer $\frac{3}{8}$ SAE	1	0
30	915113	Eslok Nut $\frac{3}{8}$ -16	1	0
31	8510	Idler Pulley	1	0
32	908039	Bolt $\frac{3}{8}$ -16 x $2\frac{1}{4}$	1	0
33	915113	Eslok Nut $\frac{3}{8}$ -16	1	0
34	107196	Belt Guide	1	0
35	107197	Brake Lever	1	0
36	107200	Pivot Bushing	1	0
37	908039	Bolt $\frac{3}{8}$ -16 x $2\frac{1}{4}$	1	0
38	2844	Special Washer	1	0
39	915113	Eslok Nut $\frac{3}{8}$ -16	1	0
40	6739	Trunnion	1	0
41	107506	Brake Rod	1	0
42	932016	Cotter Pin	2	0
43	920248	Nylon Washer	3	0
44	107219	Pivot Bracket	1	0
45	908017	Bolt $\frac{5}{16}$ -18 x $\frac{3}{4}$	2	0
46	915112	Eslok Nut $\frac{5}{16}$ -18	2	0
47	107222	Engagement Bar	1	0
48	107381	Engagement Lever	1	0
49	933152	Spirol Pin $\frac{1}{8}$ x $\frac{3}{4}$	1	0
50	9038	Grip	1	0
51	107224	Spring (Heavy)	1	0
52	107225	Spring (Light)	1	0
53	908037	Bolt $\frac{3}{8}$ -16 x $1\frac{3}{4}$	1	0
54	915113	Eslok Nut $\frac{3}{8}$ -16	3	0
55	8411	Belt - Spindle	1	0
56	107230	Belt - Drive	1	0
57	107455	Belt Guide	1	0
58	1230	Spring	1	0
59	7606	Spring Tab	1	0
60	915663	E.S. Nut $\frac{3}{8}$ -16	1	0
61	933505	Hairpin Cotter	1	0
62	8830	Clip	1	0
63	5983	Nyliner Bushing $\frac{1}{2}$ I.D.	1	0
64	5979	Nyliner Bushing $\frac{3}{8}$ I.D.	1	0
65	7713	Belt Guard	1	0
66	105618	Spacer	1	0

REAR DISCHAGE MOWERS — 36 in. (92 cm)

VEHICLE IDENTIFICATION NUMBERS 95-36YR01, 95-36YR02





**REAR DISCHARGE MOWERS — 36 in. (92 cm)  
VEHICLE IDENTIFICATION NUMBERS 95-36YR01, 95-36YR02**

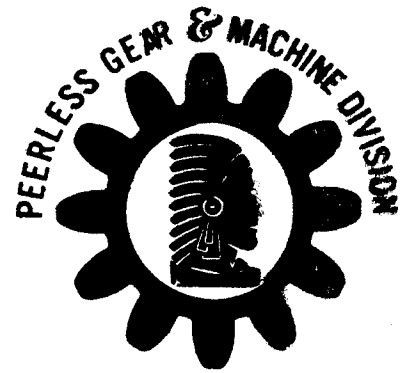
Parts available only through Authorized Dealers.  
When ordering parts always list Part No. and Description.  
**(Specifications subject to change without notice.)**

ITEM NO.	PART NO.	DESCRIPTION	NUMBER REQ'D.	
			95-36YR01	95-36YR02
1	8411	Spindle Belt	0	1
2	105865	Special Bolt $\frac{3}{8}$ -16 x $1\frac{1}{4}$ (Short Head)	0	1
3	920083	Lockwasher $\frac{3}{8}$	0	1
4	7434	Flat Idler Pulley	0	1
5	106072	Pulley, Left or Right	0	2
6	107439	Pulley, Center	0	1
7	915113	Eslok Nut $\frac{3}{8}$ -16	0	3
8	100071	Tension Spring	0	1
9	2844	Special Washer	0	4
10	106120	Idler Support Bar	0	1
11	107674	Spacer/Bushing	0	2
12	908037	Bolt $\frac{3}{4}$ -16 x $1\frac{3}{4}$	0	2
13	908035	Bolt $\frac{3}{4}$ -16 x $1\frac{1}{4}$	0	1
14	915640	E.S. Nut $\frac{3}{4}$ -16	0	3
15	908032	Eslok Bolt $\frac{3}{8}$ -16 x $\frac{3}{4}$	0	12
16	107444	Spindle Assembly	0	3
17	106075	Seal — Double Lip	0	1
18	106070	Spacer/Seal	0	1
19	106085	Ball Bearing (Non-Sealed)	0	1
20	107448	Spindle Housing	0	1
21	107446	Spindle Shaft	0	1
22	4459	Grease Fitting	0	3
23	937156	Hi-Pro Key $\frac{3}{16}$ x $\frac{5}{8}$	0	3
24	107445	Spacer	0	1
25	106084	Ball Bearing (Sealed)	0	1
26	936028	Internal Snap Ring	0	1
27	106068	Blade Spacer	0	1
28	106067	Spindle Cup	0	1
29	920258	Special Washer	0	6
30	107982	Mower Blade Kit	0	1
31	915090	Jam Nut $\frac{3}{4}$ -16	0	3
32	908038	Bolt $\frac{3}{8}$ -16 x 2	0	1
33	908039	Bolt $\frac{3}{8}$ -16 x $2\frac{1}{4}$	0	2
34	107193	Idler Arm	0	1
35	107194	Pivot Bushing	0	1
36	8510	Idler Pulley	0	1
37	107196	Belt Guide	0	1
38	107197	Brake Lever	0	1
39	107200	Pivot Bushing	0	1
40	6739	Trunnion	0	1
41	107506	Brake Rod	0	1
42	932016	Cotter Pin $\frac{1}{8}$ x $\frac{3}{4}$	0	1
43	920248	Nylon Washer	0	AR
44	107219	Pivot Bracket	0	1
45	908017	Bolt $\frac{3}{4}$ -18 x $\frac{3}{4}$	0	2
46	915112	Eslok Nut $\frac{5}{8}$ -18	0	2
47	107222	Engagement Bar	0	1
48	107381	Engagement Lever	0	1
49	933152	Spirol Pin $\frac{1}{8}$ x $\frac{3}{4}$	0	1
50	9038	Grip	0	1
51	107224	Spring (Heavy)	0	1
52	107225	Spring (Light)	0	1
53	915113	Eslok Nut $\frac{3}{8}$ -16	0	6
54	107230	Drive Belt	0	1
55	1230	Spring	0	1
56	7606	Spring Tab	0	1
57	915663	E.S. Nut $\frac{3}{8}$ -16	0	1
58	920009	Washer $\frac{3}{8}$ SAE	0	1
59	933505	Hairpin Cotter	0	1
60	8830	Clip	0	1
61	5983	Nyliner Bushing $\frac{1}{2}$ I.D.	0	1
62	5979	Nyliner Bushing $\frac{3}{8}$ I.D.	0	1
63	7713	Belt Guard	0	1
64	105618	Spacer	0	1
65	107675	Special Washer	0	2

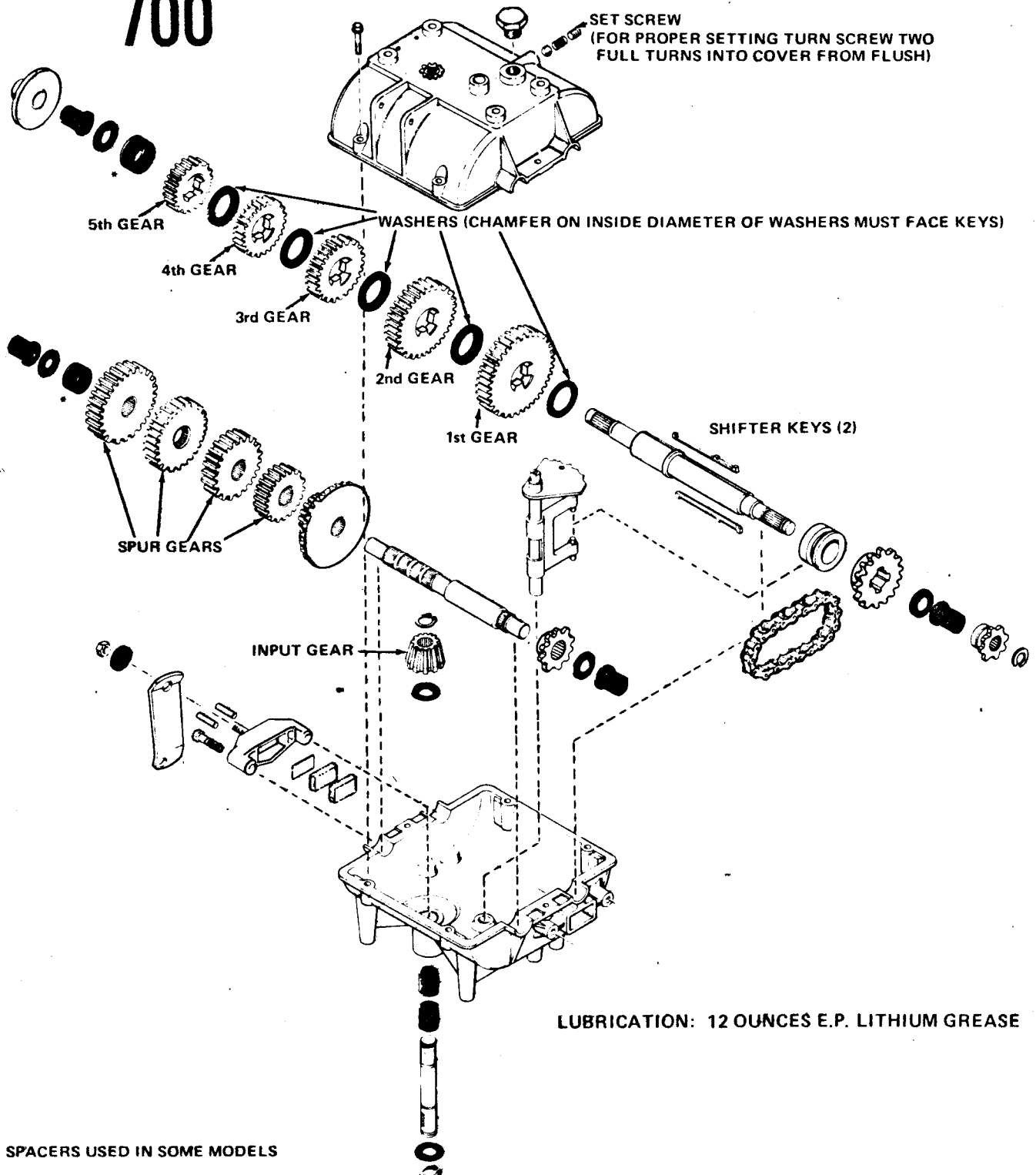
# TRANSAXLE ASSEMBLY CHART

AND 2300 SERIES TRANSMISSIONS AND TRANSAXLES.

BREAKDOWN IN THE MICROFICHE OR MASTER PARTS MANUAL.



MODEL  
**700**



\* SPACERS USED IN SOME MODELS

FILE IN:  
 DIVISION 8  
 SECTION B  
 Issued November 1973  
 Revised August 1980

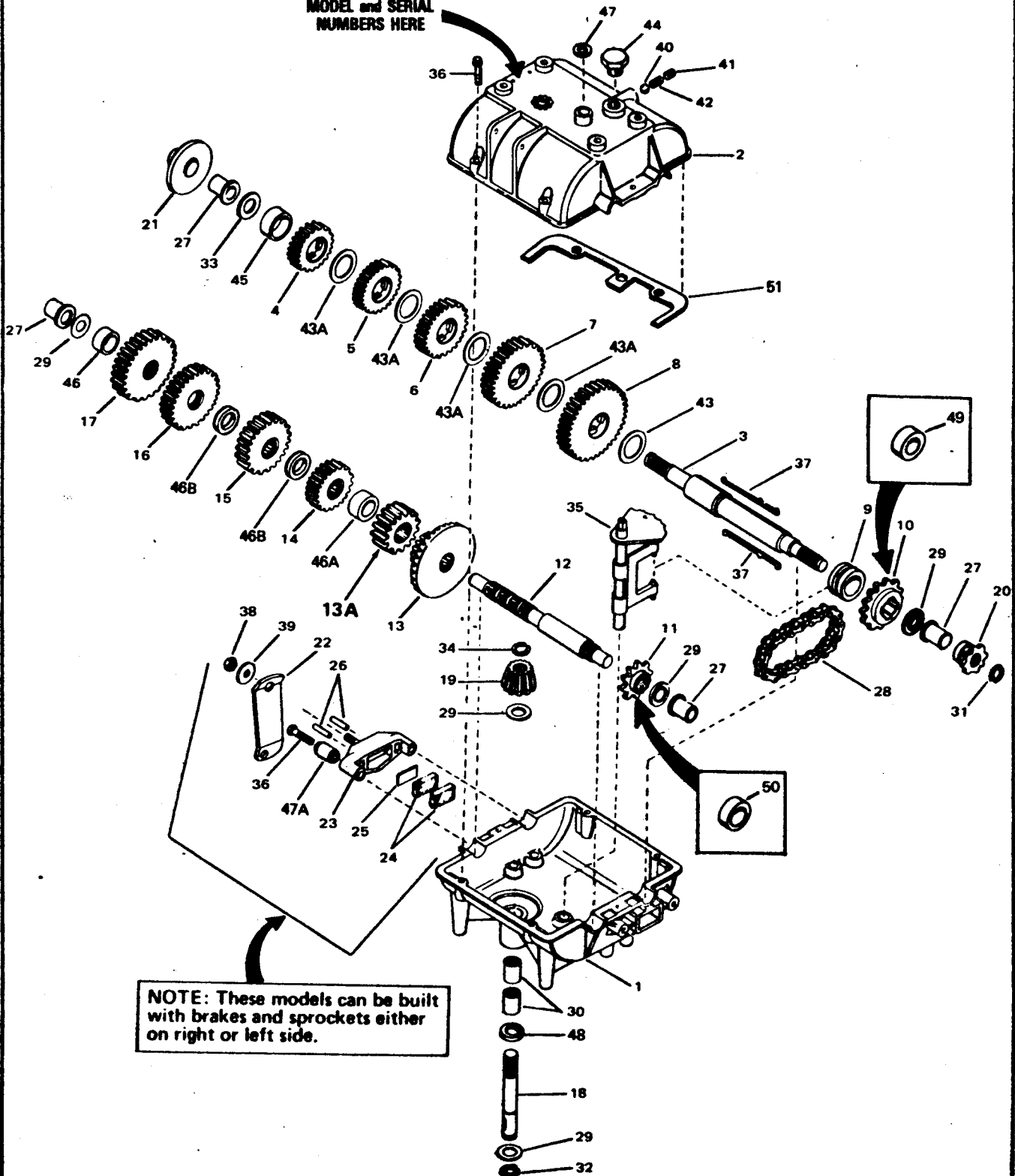
# LAUSON-POWER PRODUCTS PARTS DEPOT



## PEERLESS "700" SERIES TRANSMISSIONS

ILLUSTRATION SHOWS TYPICAL PARTS ONLY. ORDER BY PART NUMBER. PARTS NOT LISTED ARE SUPPLIED BY OEM.

MODEL and SERIAL  
 NUMBERS HERE



NOTE: These models can be built with brakes and sprockets either on right or left side.



# LAUSON-POWER PRODUCTS PARTS DEPOT

FILE IN:  
DIVISION 8  
SECTION 8  
Issued November 1973  
Revised August 1980

## PEERLESS "700" SERIES TRANSMISSIONS

Ref. No.	Part No.	Part Name	Ref. No.	Part No.	Part Name
1	770061	Case, Transmission All Models <u>except</u> 737	10	786060	Sprocket (14 teeth) Models 700, 701, 702, 703, 704, 705, 706, 707, 708, 709, 710, 713, 714, 715, 716, 717, 718, 719, 720, 722, 723, 724, 726, 734, 735, 742, 744, 745, 746
1	770064	Case, Transmission Model 737	10	786083	Sprocket (18 teeth) Models 700-A, 702-A, 703-A, 704-A, 706-A, 708-A, 708-B, 709-A, 710-A, 713-A, 714-A, 716, 717-A, 719-A, 720-A, 721, 722-A, 723-A, 724-A thru 727, 730 thru 735, 737, 739, 740, 742 thru 748
2	772083	Cover, Transmission Models 700, 702-A, 703-A, 704-A, 705, 706-A, 707, 708-A, 708-B, 709-A, 710-A, 713-A, 714-A, 716, 717-A, 719-A, 720-A, 721, 722-A, 723-A, 724-A thru 727, 730 thru 735, 737, 739, 740, 742 thru 748	11	786061	Sprocket (10 teeth) Models 700, 701, 702, 703, 704, 705, 706, 707, 708, 709, 710, 713, 714, 715, 716, 717, 718, 719, 720, 722, 723, 724, 726, 734, 735, 742, 744, 745, 746
2	772070	Cover, Transmission Models 700-A, 701, 702, 703, 704, 706, 708, 709, 710, 713, 714, 715, 715-A, 717, 718, 718-A, 719, 720, 722, 723, 724	11	786082	Sprocket (9 teeth) Models 700-A, 702-A, 703-A, 704-A, 706-A, 708-A, 708-B, 709-A, 710-A, 713-A, 714-A, 715-A, 717-A, 718-A, 719-A, 720-A, 722-A, 723-A, 724-A, 730 thru 733, 737, 739, 740, 743, 747, 748
3	776161	Shaft, Output & brake Models 700, 700-A, 702 thru 703-A, 705 thru 708-B, 710, 710-A, 713, 713-A, 720, 720-A, 721, 723 thru 724-A, 726, 727, 730, 732, 734, 735, 744, 745, 746	12	776134	Shaft, Counter
3	776164	Shaft, Output & brake Models 701, 709, 709-A, 715, 715-A, 717 thru 718-A, 740	13	778109	Gear, Bevel (42 tooth & 15 tooth) All Models <u>except</u> 722, 722-A, 725, 733, 737, 742, 746, 747, 748
3	776162	Shaft, Output & brake Models 704, 704-A, 719, 719-A, 722, 722-A, 725, 742, 743	13	778137	Gear, Bevel (42 teeth) Models 722, 722-A, 725, 733, 737, 742, 746, 747, 748
3	776166	Shaft, Output & brake Models 714, 714-A, 731	13A	778145	Gear, Spur (12 teeth) Models 746, 747, 748
3	776171	Shaft, Output & brake Models 716, 733, 737	14	778126A	Gear, Spur (20 teeth) All Models <u>except</u> 722, 722-A, 725, 742
3	776197	Shaft, Output & brake Models 739, 748	14	778136	Gear, Spur (15 teeth) Models 722, 722-A, 725, 733, 737, 742
3	776206	Shaft, Output & brake Model 747	14	778151	Gear, Spur (15 teeth) Model 748
4	778121A	Gear, Spur (20 teeth) Models 700 thru 710-A, 713 thru 721, 723 thru 725, 727 thru 733, 735, 737, 739, 740, 743, 746	15	778127A	Gear, Spur (25 teeth) All Models <u>except</u> 733, 747
5	778122	Gear, Spur (22 teeth) Models 700 thru 703-A, 706 thru 708-B, 710, 710-A, 714 thru 715-A, 718, 718-A, 720, 720-A, 722, 722-A, 724, 724-A, 727, 730, 731, 734, 735, 739, 740, 745 thru 748	16	778128A	Gear, Spur (28 teeth) Models 700 thru 703-A, 706 thru 708-B, 710, 710-A, 714 thru 715-A, 718, 718-A, 720, 720-A, 722, 722-A, 724, 724-A, 727, 730, 731, 734, 735, 739, 740, 745 thru 748
6	778123A	Gear, Spur (25 teeth) Models 700 thru 710-A, 713 thru 727, 730, 731, 732, 734, 735, 739, 740, 742 thru 746, 748	17	778129A	Gear, Spur (30 teeth) All Models <u>except</u> 722, 722-A, 726, 734, 737, 742, 744, 745, 747, 748
7	778124A	Gear, Spur (30 teeth) Models 700 thru 710-A, 713 thru 721, 723 thru 724-A, 726, 727, 730 thru 735, 737, 739, 740, 743 thru 748	18	776135	Shaft, Input Models 700, 700-A, 702 thru 710-A, 713, 713-A, 715, 715-A, 716, 719 thru 720-A, 722 thru 725, 727, 731, 732, 733, 737, 739, 740, 743
8	778125	Gear, Spur (35 teeth) Models 700 thru 703-A, 705 thru 710-A, 713 thru 715-A, 717 thru 718-A, 720 thru 727, 730 thru 735, 737, 739, 740, 742, 744, 745, 748	18	776140	Shaft, Input Models 701, 714, 714-A, 717 thru 718-A, 721
8	778146	Gear, Spur (37 teeth) Models 746, 747, 748	18	776143	Shaft, Input Models 726, 730, 734, 735
9	784266	Collar All Models <u>except</u> 737	18	776199	Shaft, Input Model 742
9	784216	Collar Model 737	18	776203	Shaft, Input Models 744, 745, 746

FILE IN:  
DIVISION B  
SECTION B  
Issued November 1973  
Revised August 1980

# LAUSON-POWER PRODUCTS PARTS DEPOT



## PEERLESS "700" SERIES TRANSMISSIONS

Ref. No.	Part No.	Part Name	Ref. No.	Part No.	Part Name
18	778158	Shaft, Input Models 747, 748	32	792035	Ring, Retaining
19	778113	Bevel Pinion, Input	33	780109	Washer
20	786047	Sprocket (8 teeth) Models 700, 700-A, 702, 702-A, 704, 704-A, 705, 707 thru 710-A, 713, 713-A, 715, 715-A, 716, 719 thru 722-A, 730 thru 733, 736, 737, 740, 742	34	788040	Ring, Retaining
20	786049	Sprocket (8 teeth) Models 701, 703, 703-A, 706, 706-A, 714, 714-A, 724, 724-A, 726, 734, 735, 744, 745, 746	35	784271	Rod & Fork Assy., Shift Models 700, 700-A, 701, 703, 703-A, 706, 706-A, 707, 724, 724-A
20	786077	Sprocket (7 teeth) Models 723, 723-A, 725, 727	35	784267	Rod & Fork Assy., Shift Models 702, 702-A, 705, 708 thru 710-A, 713 thru 715-A, 717 thru 718-A, 720, 720-A, 721, 723, 723-A, 726, 727, 730, 731, 732, 734, 735, 739, 740, 744, 745, 746, 748
20	786048	Sprocket (8 teeth) Model 743	35	784270	Rod & Fork Assy., Shift Models 704, 704-A, 719, 719-A, 722, 722-A, 725, 733, 742, 743, 747
21	790003	Disk, Brake All Models except 701, 709, 709-A, 714 thru 718-A, 726, 731, 733, 734, 735, 737, 740, 743 thru 748	35	784282	Rod & Fork Assy., Shift Model 716
22	790004	Lever, Brake Models 700, 700-A, 710, 710-A, 719 thru 720-A	35	784224	Rod & Fork Assy., Shift Model 737
22	790012	Lever, Brake Models 702, 702-A	36	792073	Screw, Hex hd. taptite, 1/4-20 x 1-1/4 (Use as required)
22	790008	Lever, Brake Models 703, 703-A, 707, 713, 713-A, 721, 725, 727, 739	36	792085	Screw, Hex hd. taptite, 1/4-20 x 2-1/4 (Use as required)
22	790013	Lever, Brake Models 704 thru 706-A, 708, 708-A, 708-B, 722, 722-A, 730	37	792089A	Key
22	790023	Lever, Brake Models 723, 723-A, 732, 742	38	792075	Nut, Lock, 5/16-24
22	790024	Lever, Brake Models 724, 724-A	39	792076	Washer, Flat, 5/16" All Models except 701, 709, 709-A, 714 thru 718-A, 726, 731, 733, 734, 735, 737, 740, 743 thru 748
23	790005	Holder, Brake pad Models 700, 700-A, 702 thru 708-B, 710, 710-A, 713, 713-A, 719 thru 725, 727, 730, 732, 742	40	792077	Ball, Steel, 5/16"
23	790025	Holder, Brake pad Model 739	41	792078	Screw, Set, 3/8-16 x 3/8
24	790006	Pad, Brake	42	792079	Spring
25	790007	Plate, Brake pad	43	780108	Washer, Thrust (1-1/8" I.D. x 1-3/4" O.D. x 1/16" thick)
26	786026	Pin, Dowel All Models except 701, 709, 709-A, 714 thru 718-A, 726, 731, 733, 734, 735, 737, 740, 743 thru 748	43A	780108	Washer, Thrust (1-1/8" I.D. x 1-3/4" O.D. x 1/16" thick) (Use as required) All Models except 737
27	780105	Bushing, Flanged	43A	780115	Washer, Thrust (1-1/8" I.D. x 1-3/4" O.D. x 3/16" thick) Model 737
28	786062	Chain, Roller (No. 41 chain, 22 links) Models 700, 701, 702, 703, 704, 705, 706, 707, 708, 709, 710, 713, 714, 715, 716, 717, 718, 719, 720, 722, 723, 724, 726, 734, 735, 742, 744, 745, 746	44	792074	Plug Models 701, 710, 710-A, 713 thru 715-A, 717 thru 718-A, 721, 725, 726, 727, 730, 731, 733, 734, 735, 737, 743 thru 748
28	786061	Chain, Roller (No. 41 chain, 24 links) Models 700-A, 702-A, 703-A, 704-A, 706-A, 708-A, 708-B, 709-A, 710-A, 713-A, 714-A, 715-A, 717-A, 718-A, 719-A, 720-A, 722-A, 723-A, 724-A, 730 thru 733, 737, 739, 740, 743, 747, 748	45	786072	Spacer, Keyed (1-1/8" I.D. x 1-3/8" O.D. x 3/8" thick) Models 704, 704-A, 705, 709, 709-A, 713, 713-A, 716, 717, 717-A, 719, 719-A, 721 thru 723-A, 725, 726, 732, 733, 734, 742 thru 745, 747
29	780072	Race, Thrust	45	780116	Washer (1-1/8" I.D. x 1-7/16" O.D. x 3/32" thick) Model 737
30	780086	Bearing, Needle	46	786071	Spacer (3/4" I.D. x 1-1/8" O.D. x 3/8" thick) Models 704, 704-A, 705, 709, 709-A, 713, 713-A, 716, 717, 717-A, 719, 719-A, 721 thru 723-A, 725, 726, 732, 733, 734, 742 thru 745, 747
31	792072	Ring, Retaining All Models except 717 thru 718-A, 739,	46	780117	Washer (3/4" I.D. x 1-1/8" O.D. x 1/8" thick) Model 737



# LAUSON-POWER PRODUCTS PARTS DEPOT

FILE IN:  
DIVISION 8  
SECTION B  
Issued November 1973  
Revised August 1980

Ref. No.	Part No.	Part Name	Ref. No.	Part No.	Part Name
46A	786071	Spacer (3/4" I.D. x 1-1/8" O.D. x 3/8" thick) Models 722, 722-A, 725, 726, 733, 742, 744, 747	47A	786067	Spacer Models 719 thru 720-A
46A	780117	Washer (3/4" I.D. x 1-1/8" O.D. x 1/8" thick) Model 737	48	792001	Ring, Square cut
46B	780117	Washer (3/4" I.D. x 1-1/8" O.D. x 1/8" thick) Model 737	49	786069	Spacer, Output shaft Models 721, 727
47	792083	Spacer (Use as required)	49	786085	Spacer, Output shaft Model 725
			50	786068	Spacer, Countershaft Models 721, 725, 727
			51	788054	Gasket Models 726, 734, 735, 744 thru 748

NOTE: Always check Master Parts Price List for possible replacement numbers.